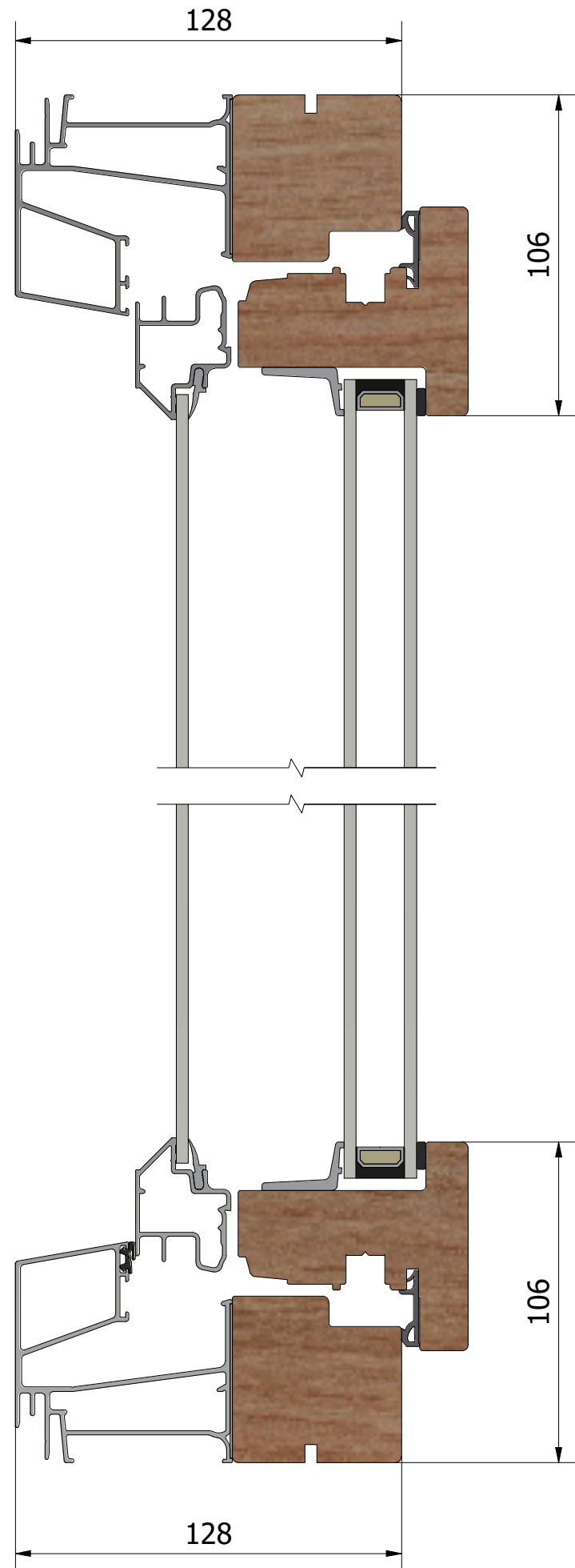
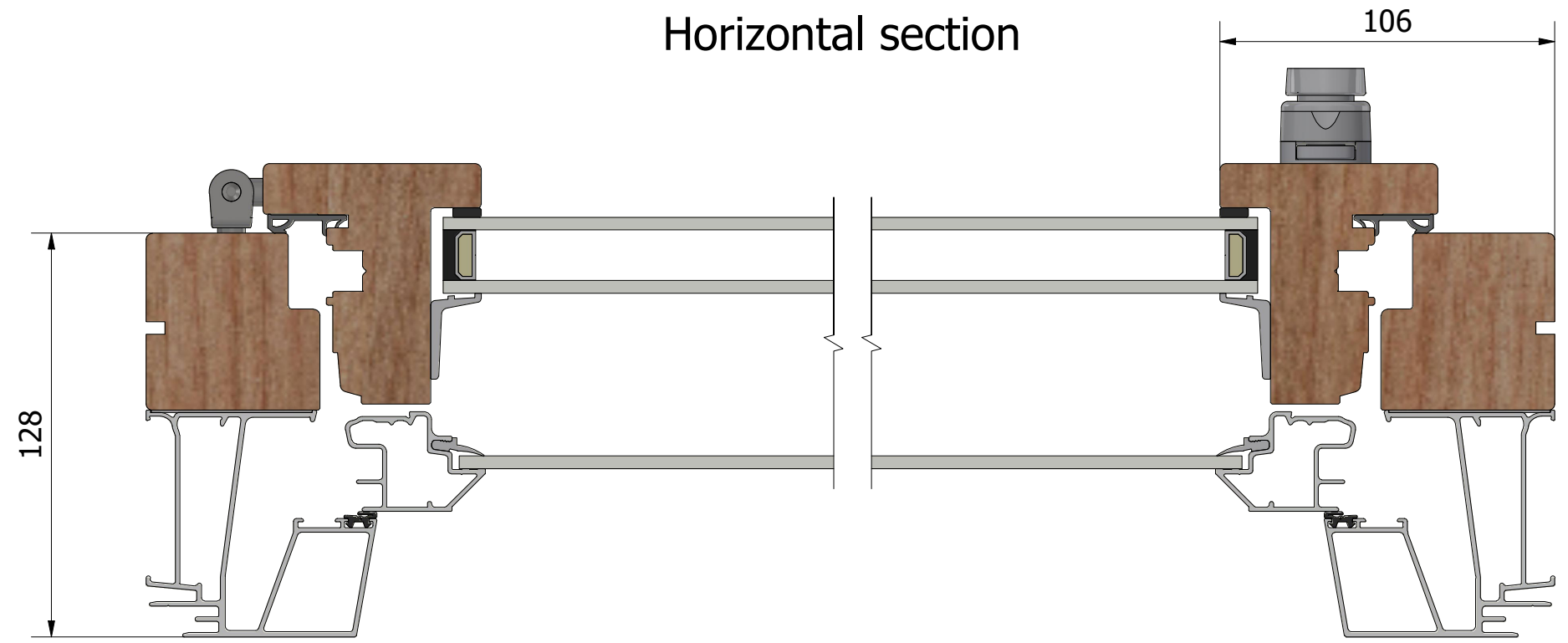


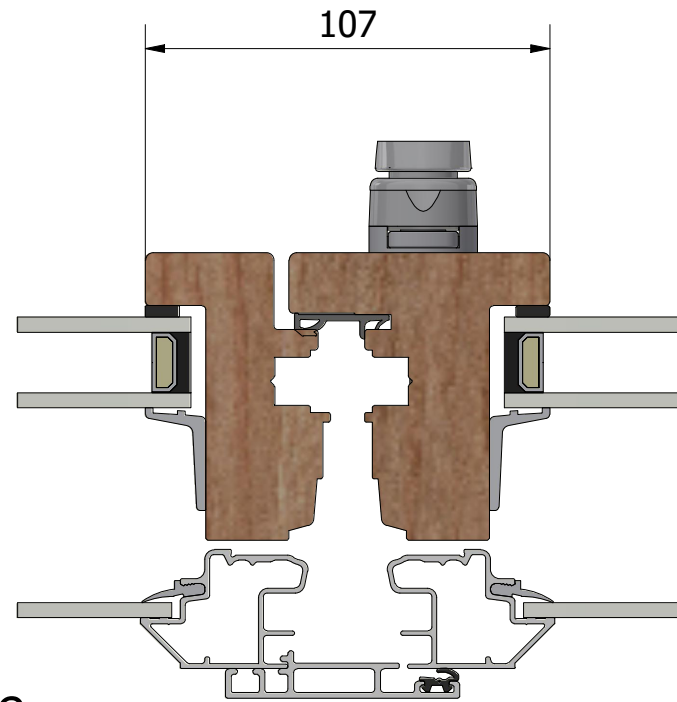
### Vertical section



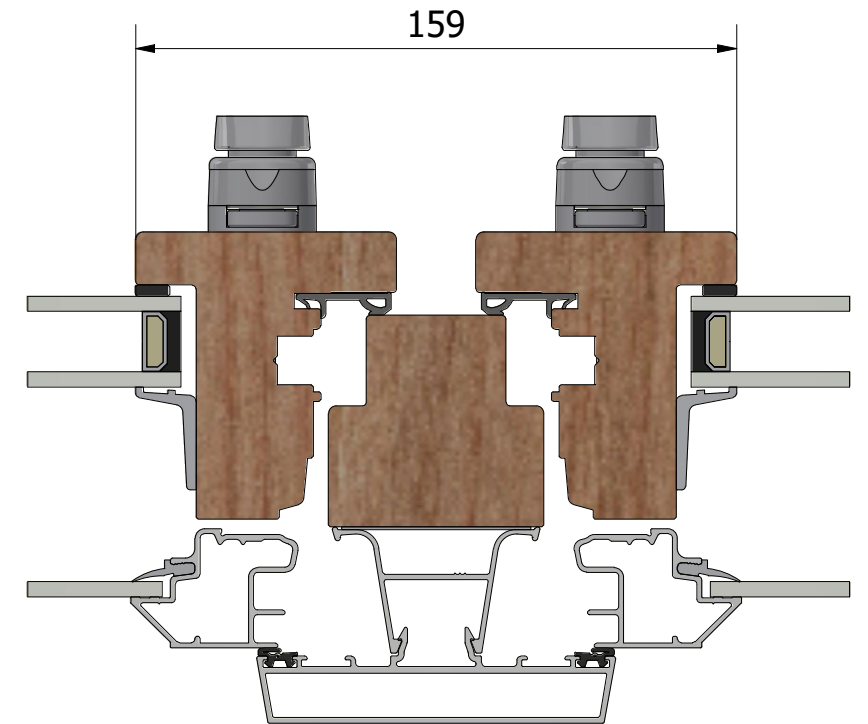
### Horizontal section



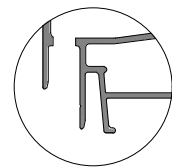
### Floating mullion


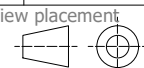


### Mullion



### Weep hole



Revision no.	Revision description			Product name	Created by	Creation date
	General tolerances	ISO 2768-1, m		LIF1281YE.2	Alexander	2026-05-18
	Sheet size	Scale	Page	Description	Royal inward opening window, 2+1 high performance glazing	
	A3	1 : 2	1	File name	Drawing no.	
	 			MP-LIF1281YE.2EN_260.dwg	MP-LIF1281YE.2EN_260	