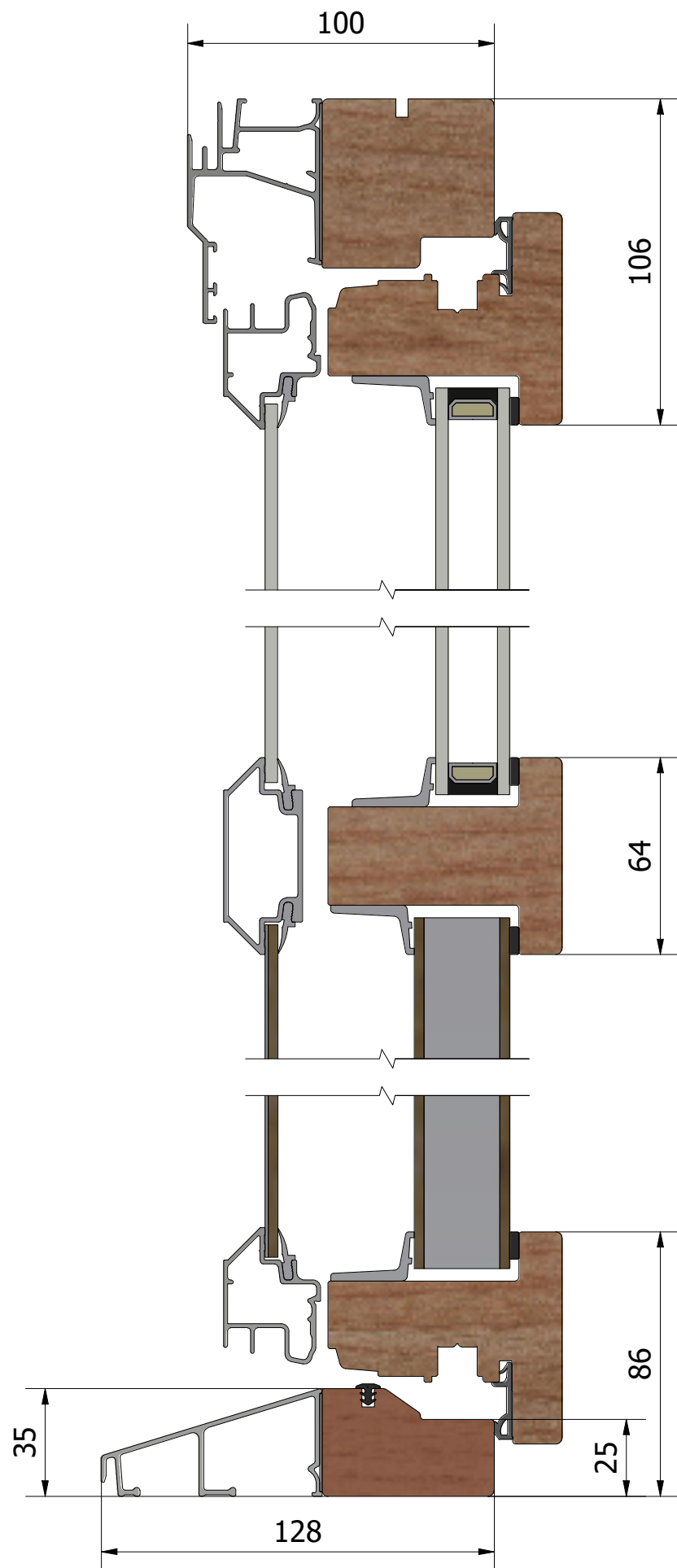
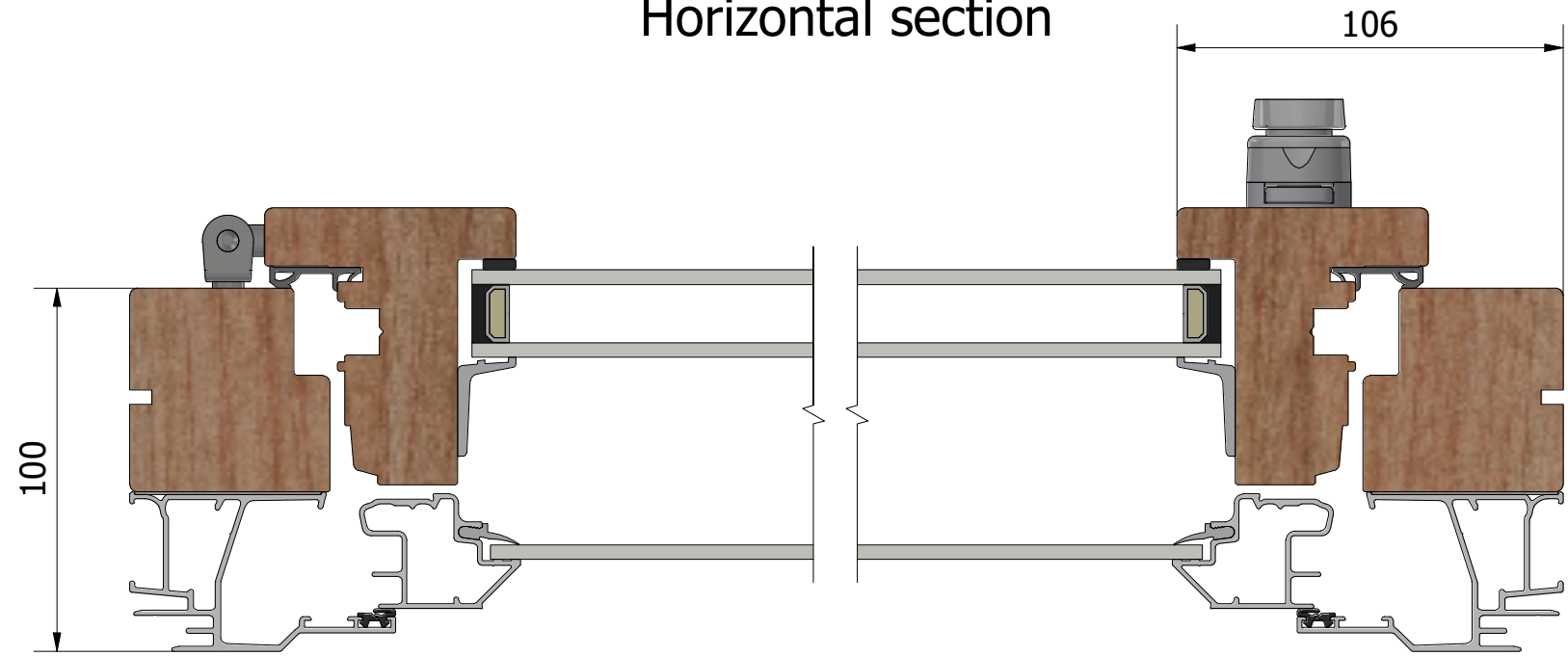


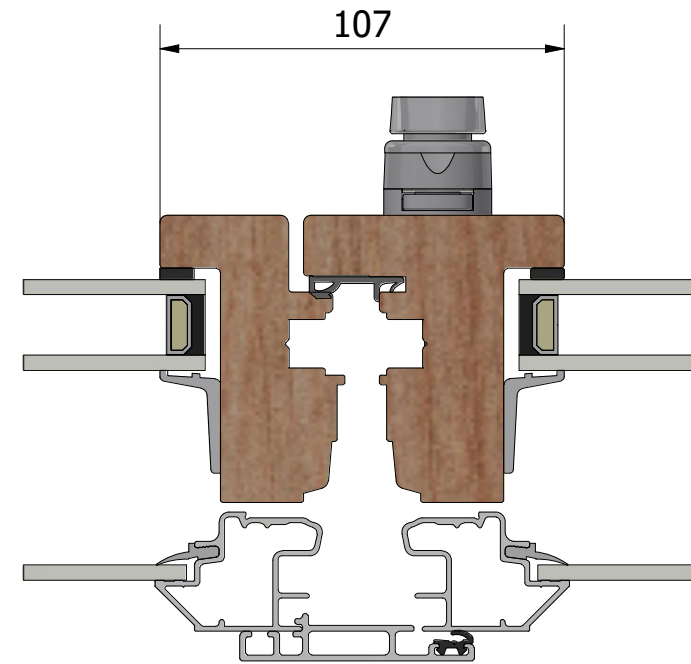
Vertical section



Horizontal section



Floating mullion



Revision no.	Revision description			Product name	Created by	Creation date
	General tolerances ISO 2768-1, m			LID1001HYE.3	Alexander	2026-04-24
	Sheet size A3	Scale 1 : 2	Page 1	Description Haga inward opening patio door 2+1 glazing. Low threshold		
	View placement			File name MP-LID1001HYE.3EN_260.dwg	Drawing no. MP-LID1001HYE.3_260	