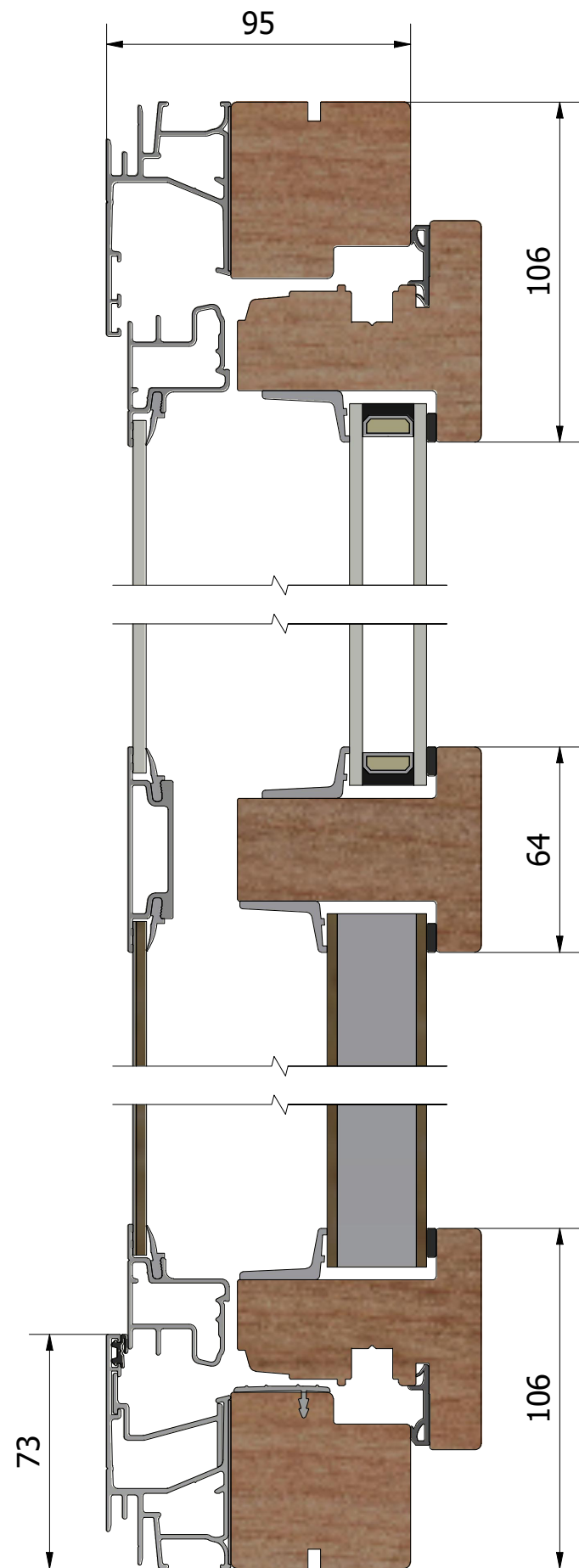
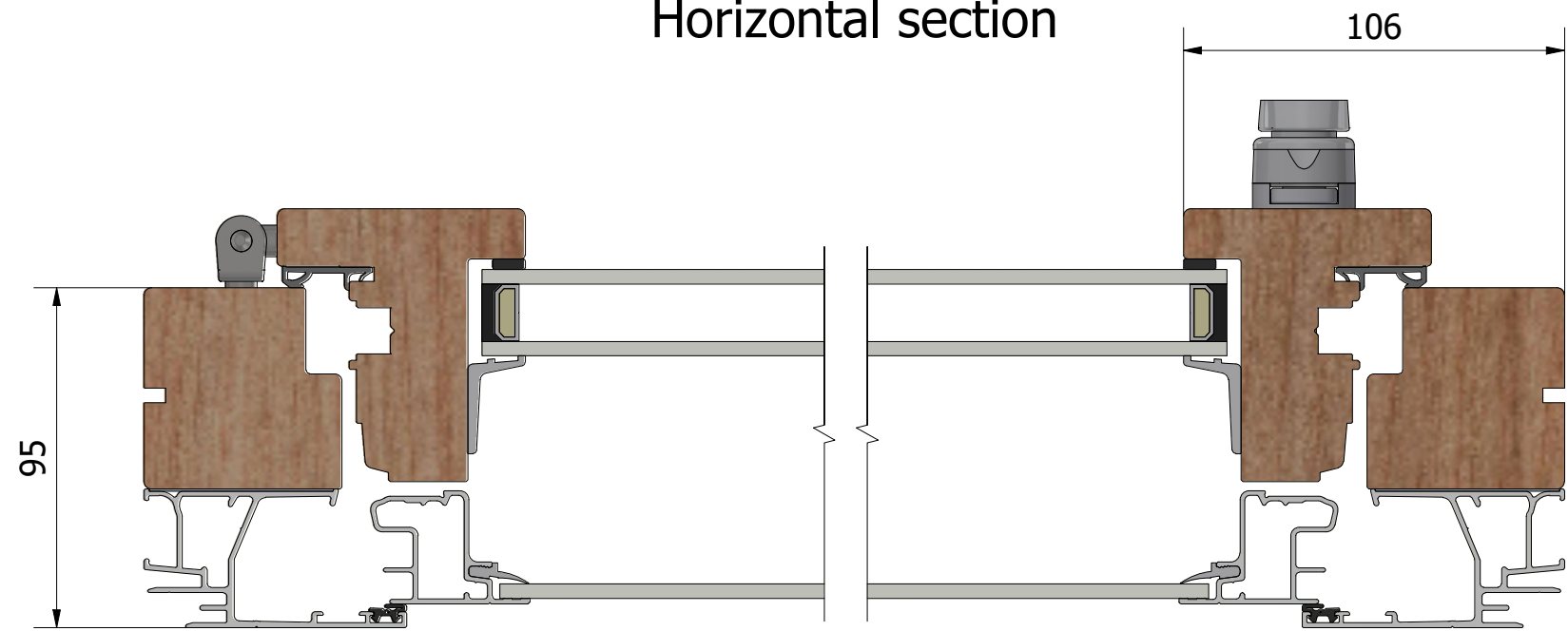


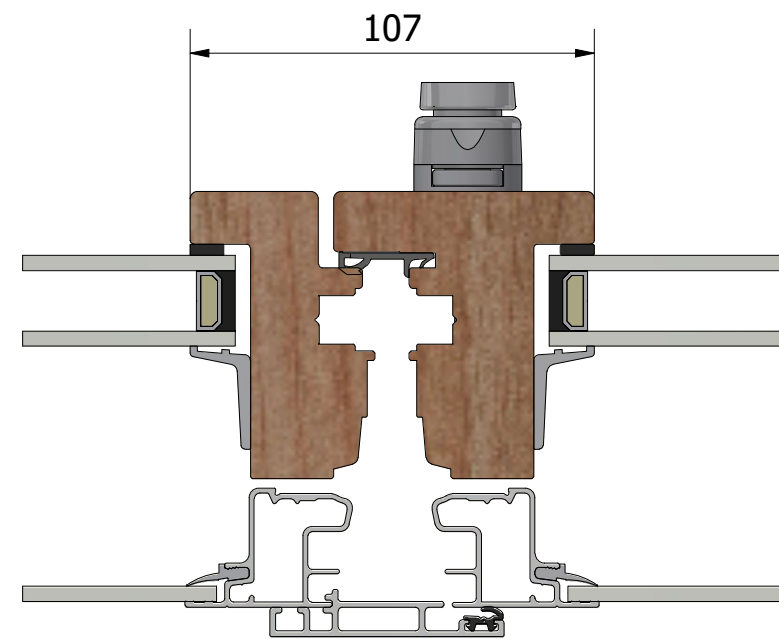
Vertical section



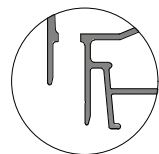
Horizontal section



Floating mullion



Weep hole



Revision no.	Revision description			Product name	Created by	Creation date
	General tolerances ISO 2768-1, m			LID951.2	Alexander	2026-05-11
	Sheet size A3	Scale 1 : 2	Page 1	Description Stil inward opening patio door. 2+1 glazing		
	View placement			File name MP-LID951.2EN_260.dwg	Drawing no. MP-LID951.2EN_260	