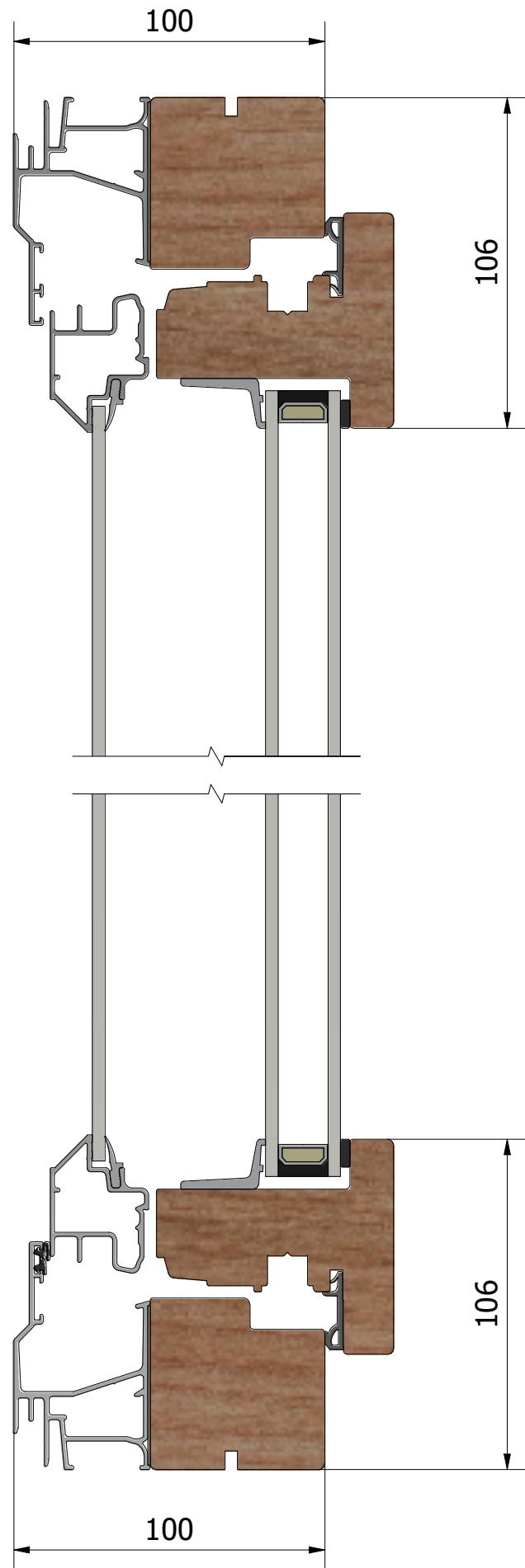
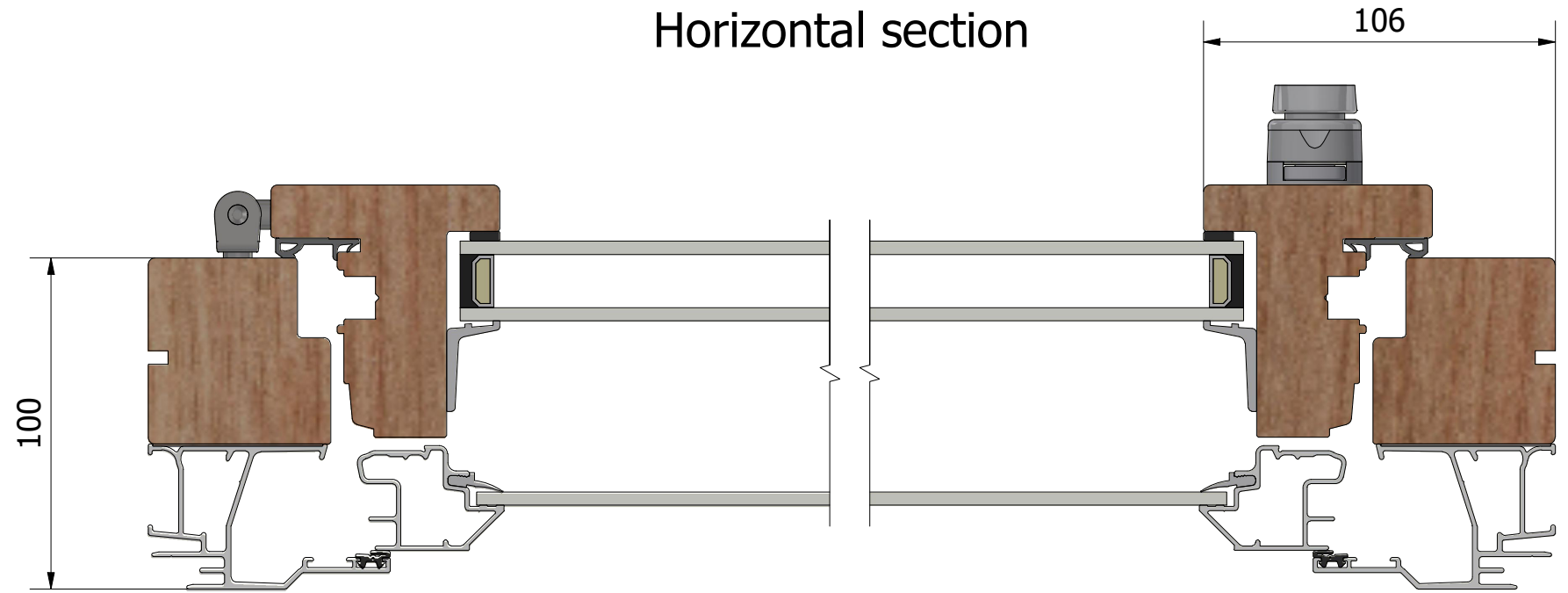


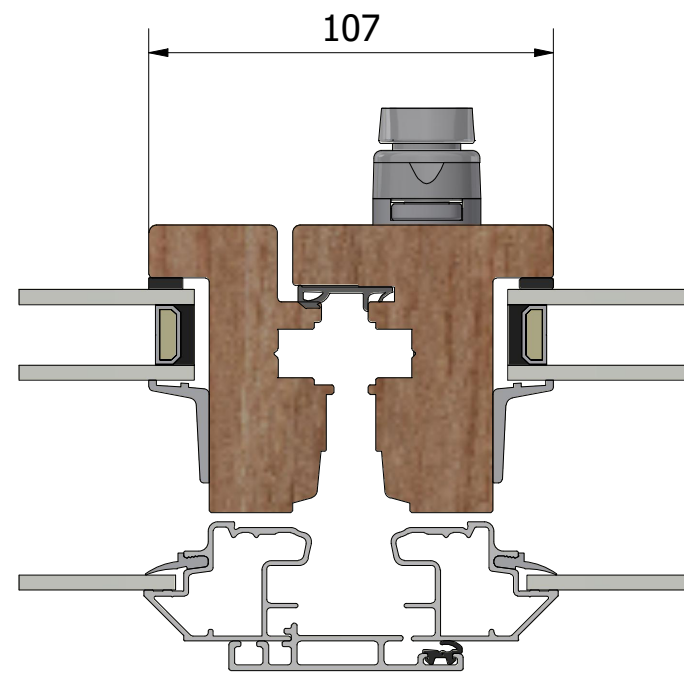
Vertical section



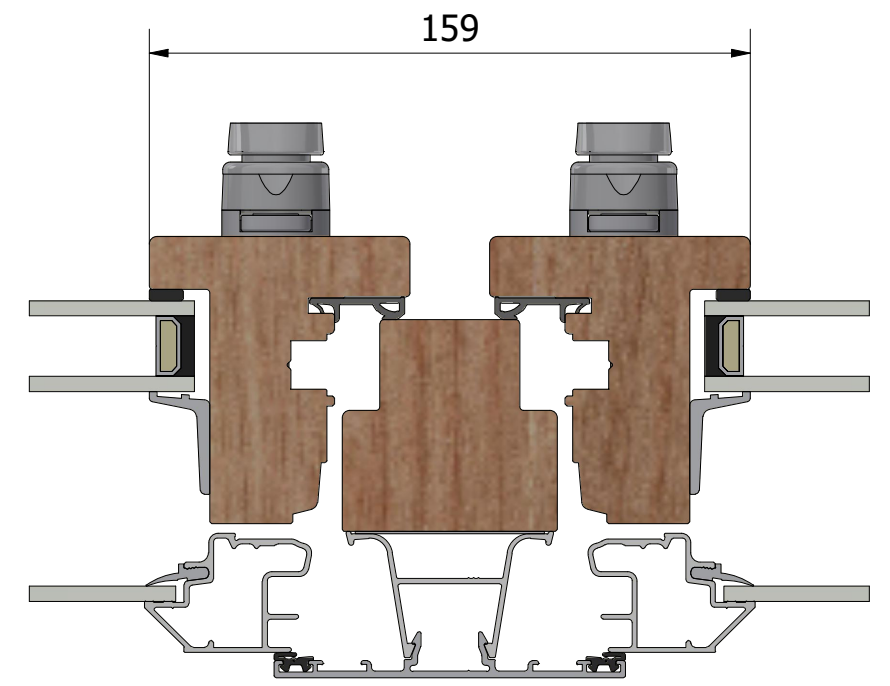
Horizontal section



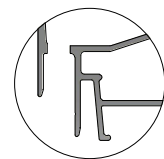
Floating mullion



Mullion



Weep hole



Revision no.	Revision description			Product name	Created by	Creation date
	General tolerances	ISO 2768-1, m		LIF1001YE.2	Alexander	2026-05-21
	Sheet size	Scale	Page	Description	Haga inward opening window, 2+1 high performance glazing	
	A3	1 : 2	1	File name	MP-LIF1001YE.2EN_260.dwg	
	View placement			Drawing no.	MP-LIF1001YE.2EN_260	