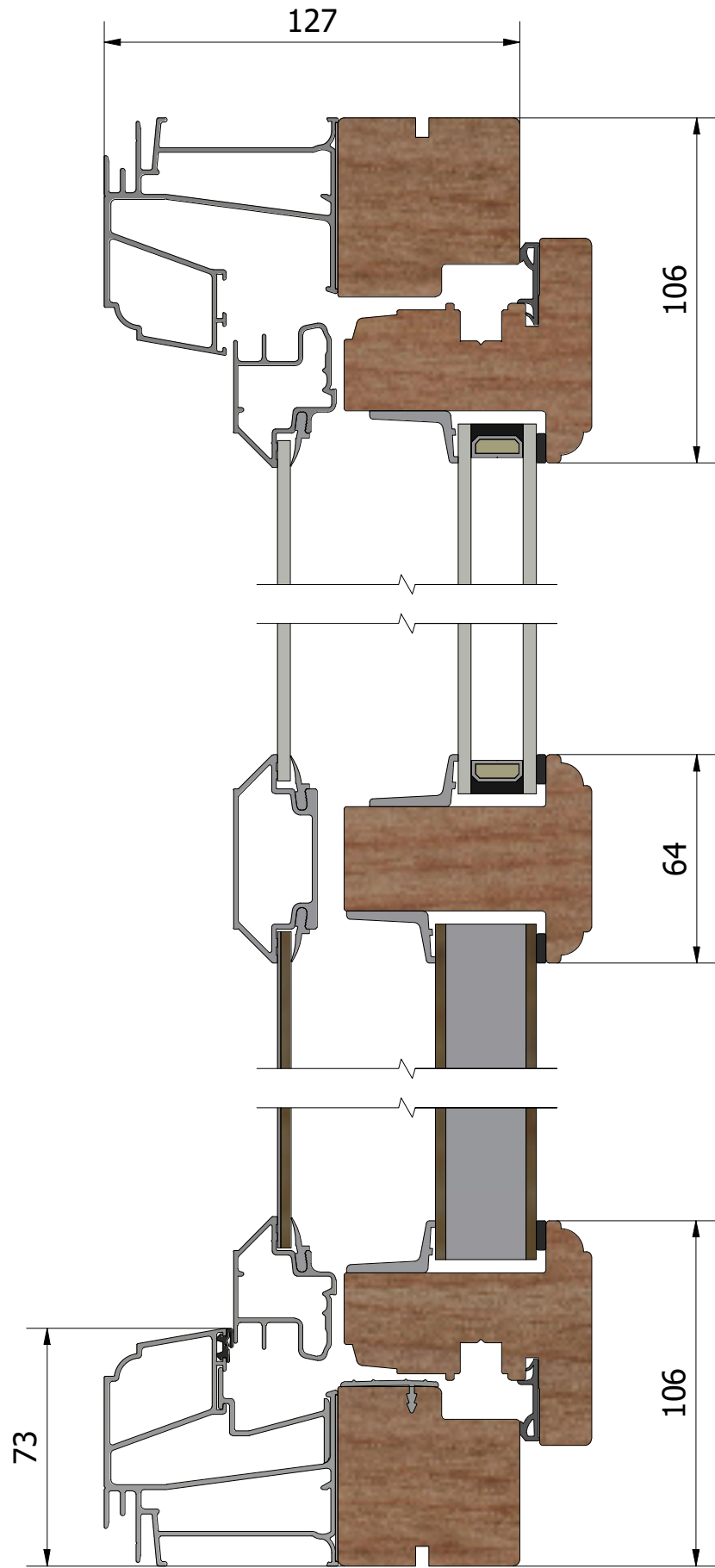
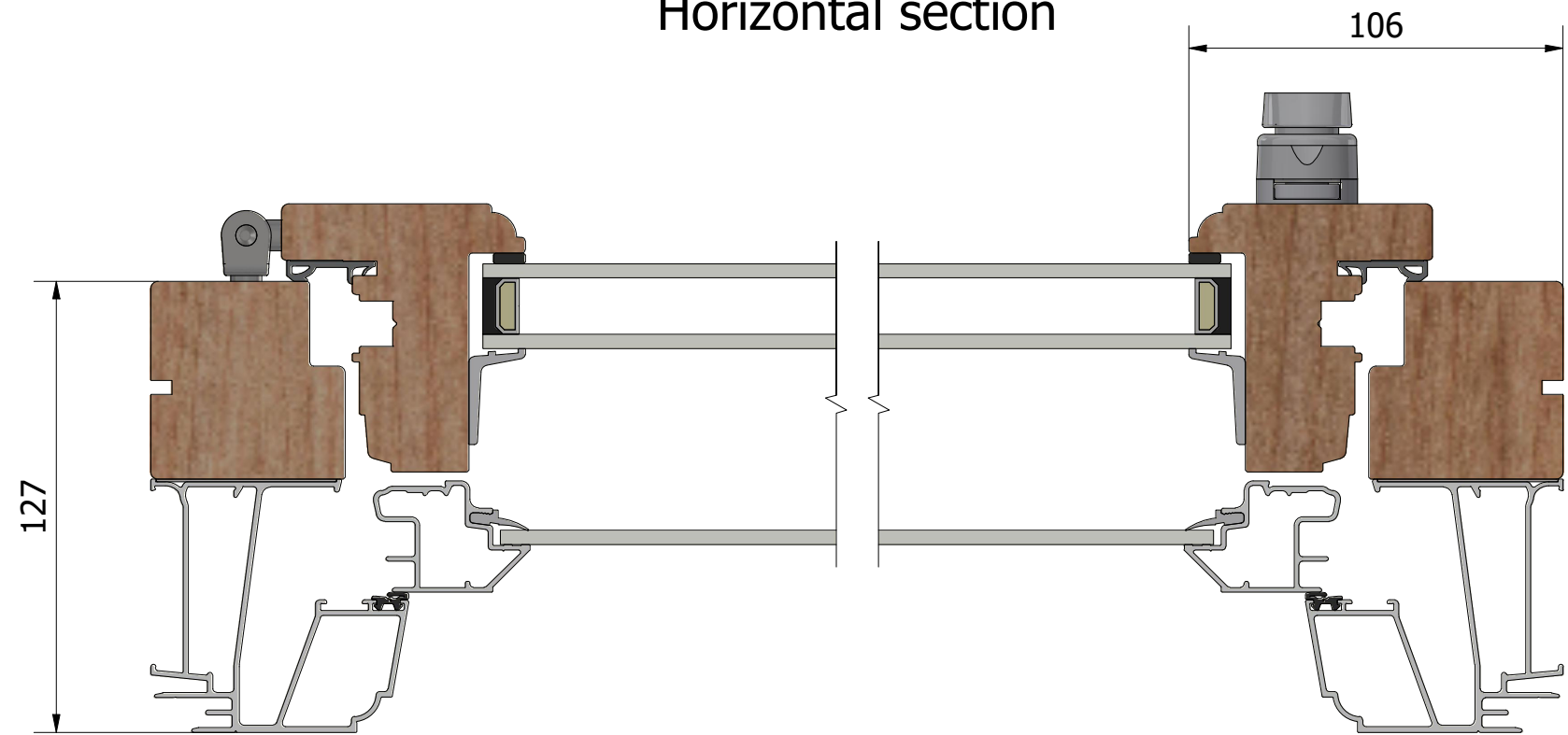


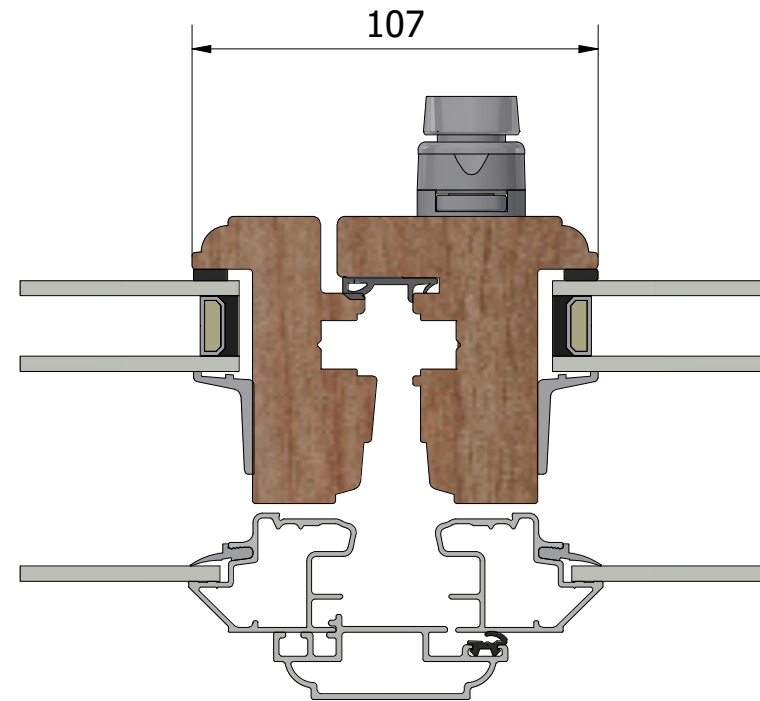
### Vertical section



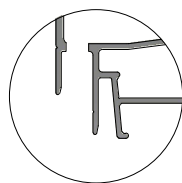
### Horizontal section



### Floating mullion



Weep hole



Revision no.		Revision description		
General tolerances		Product name		Created by
ISO 2768-1, m		LID1271.2		Alexander
Sheet size		Scale	Page	Creation date
A3		1 : 2	1	2026-05-11
Description		File name		
Epok inward opening patio door. 2+1 glazed		MP-LID1271.2EN_260.dwg		
View placement		Drawing no.		
		MP-LID1271.2EN_260		