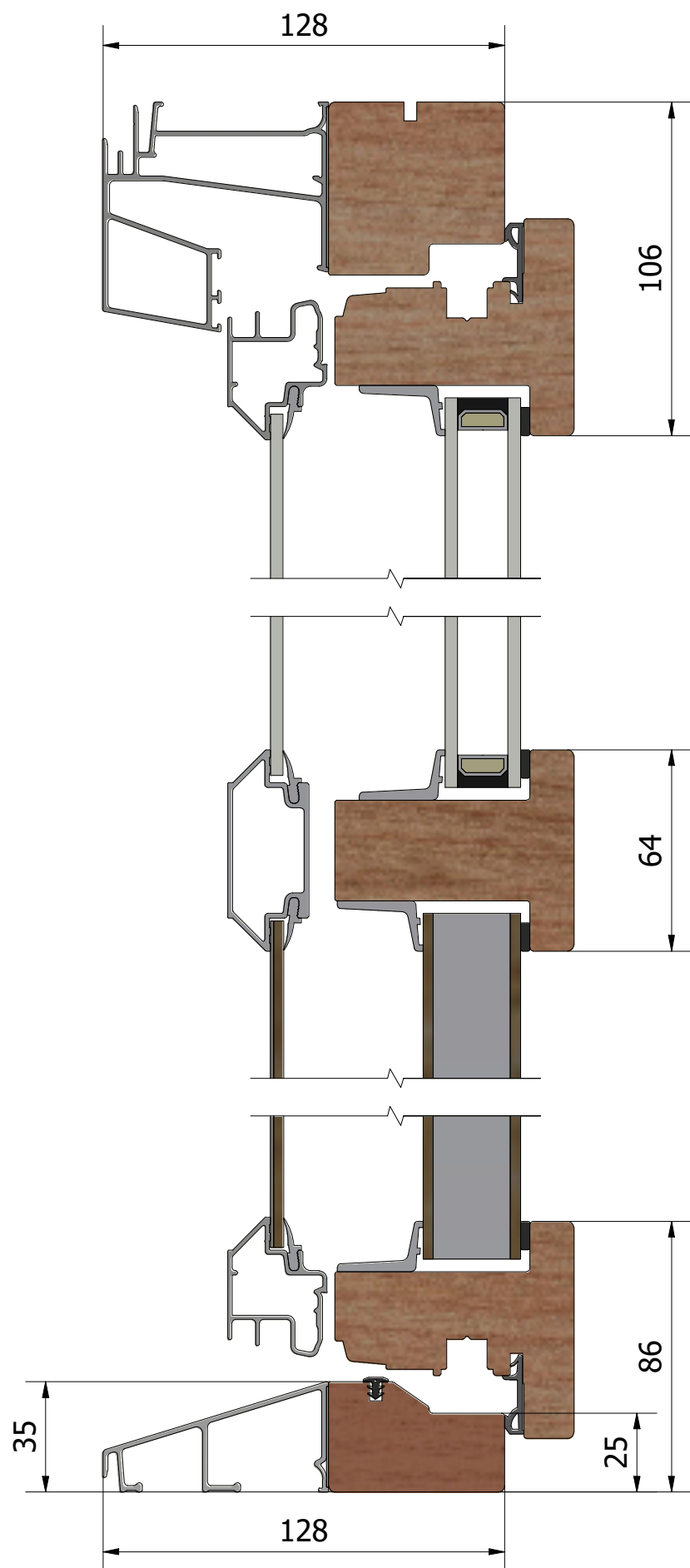
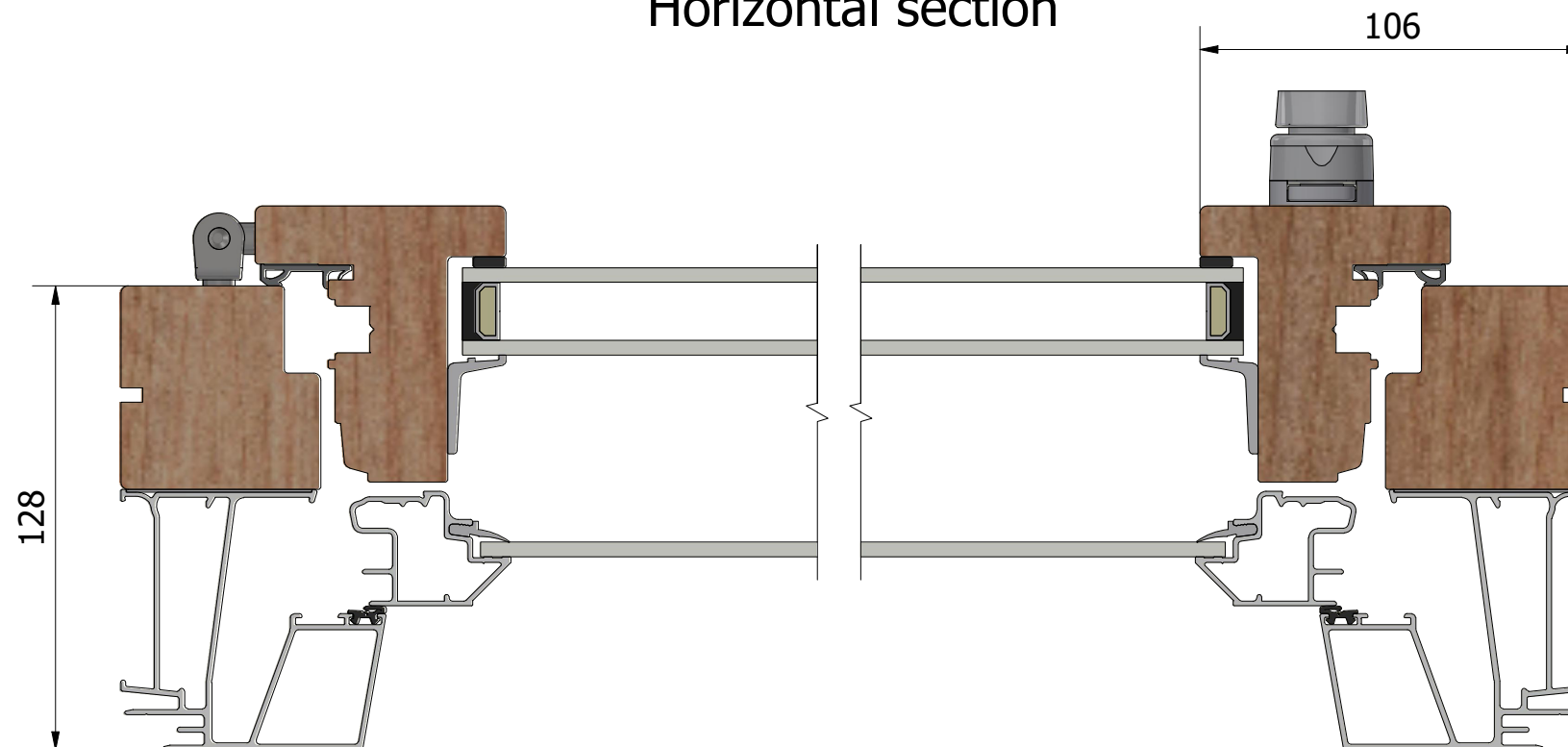


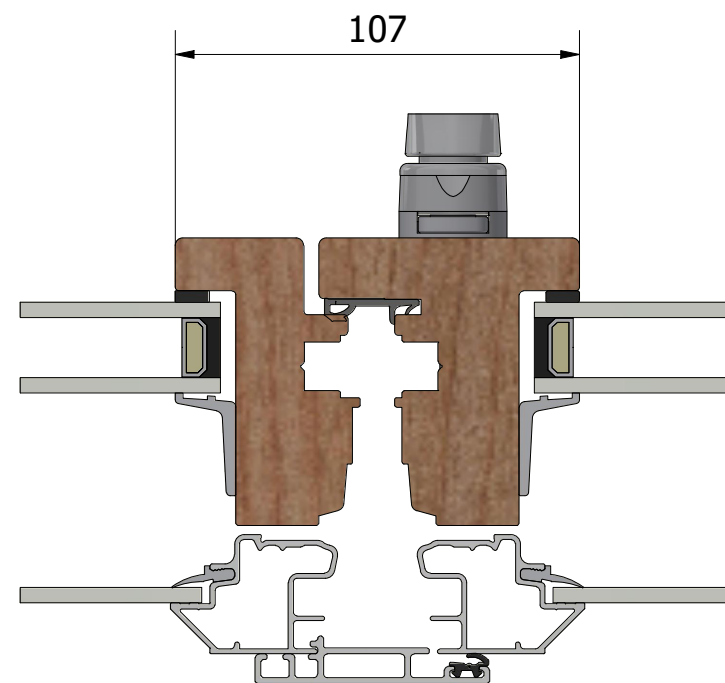
Vertical section




Horizontal section



Floating mullion



Revision no.	Revision description			
General tolerances ISO 2768-1, m		Product name LID1281H.3	Created by Alexander	Creation date 2026-04-27
Sheet size A3	Scale 1 : 2	Page 1	Description Royal inward opening patio door 2+1 glazing. Low threshold	
		File name MP-LID1281H.3EN_260.dwg	Drawing no. MP-LID1281H.3_260	