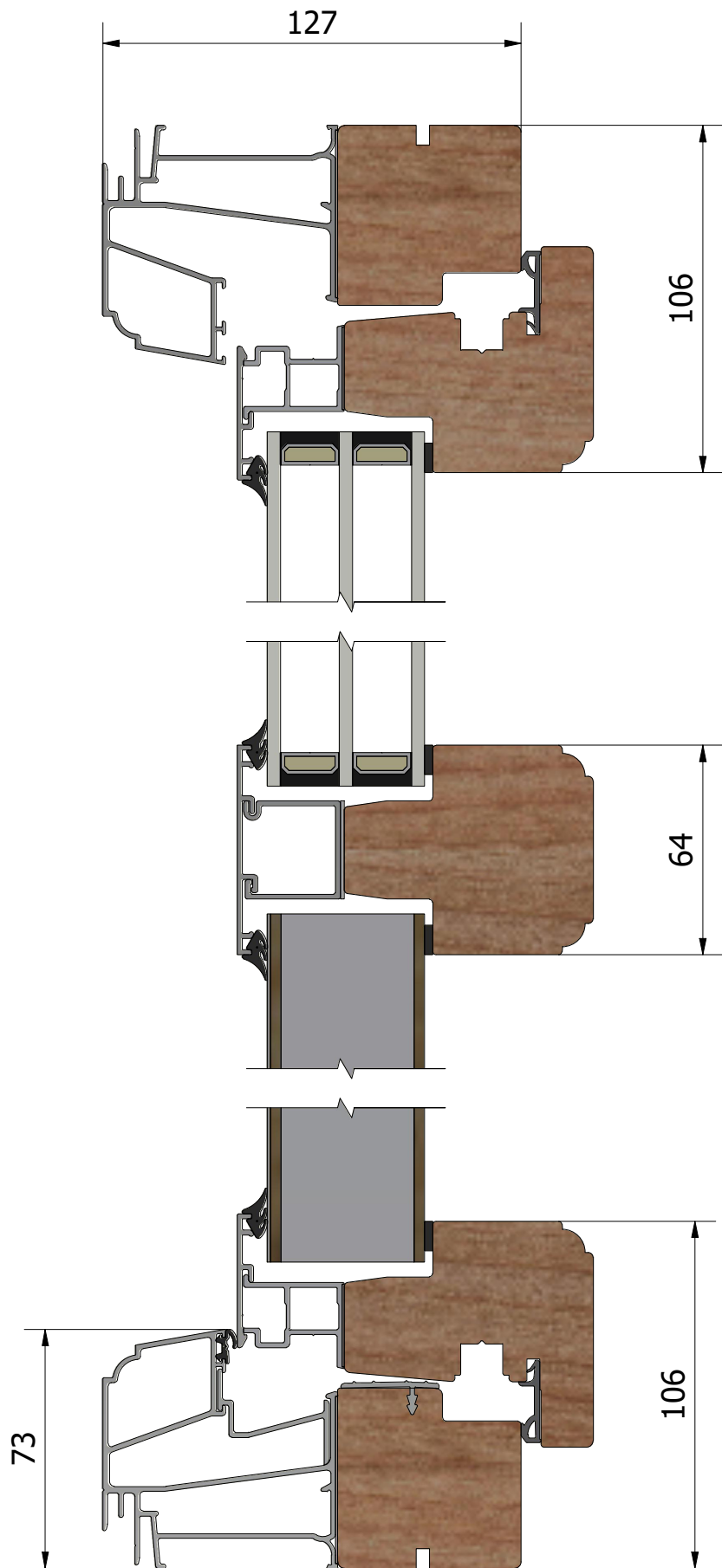
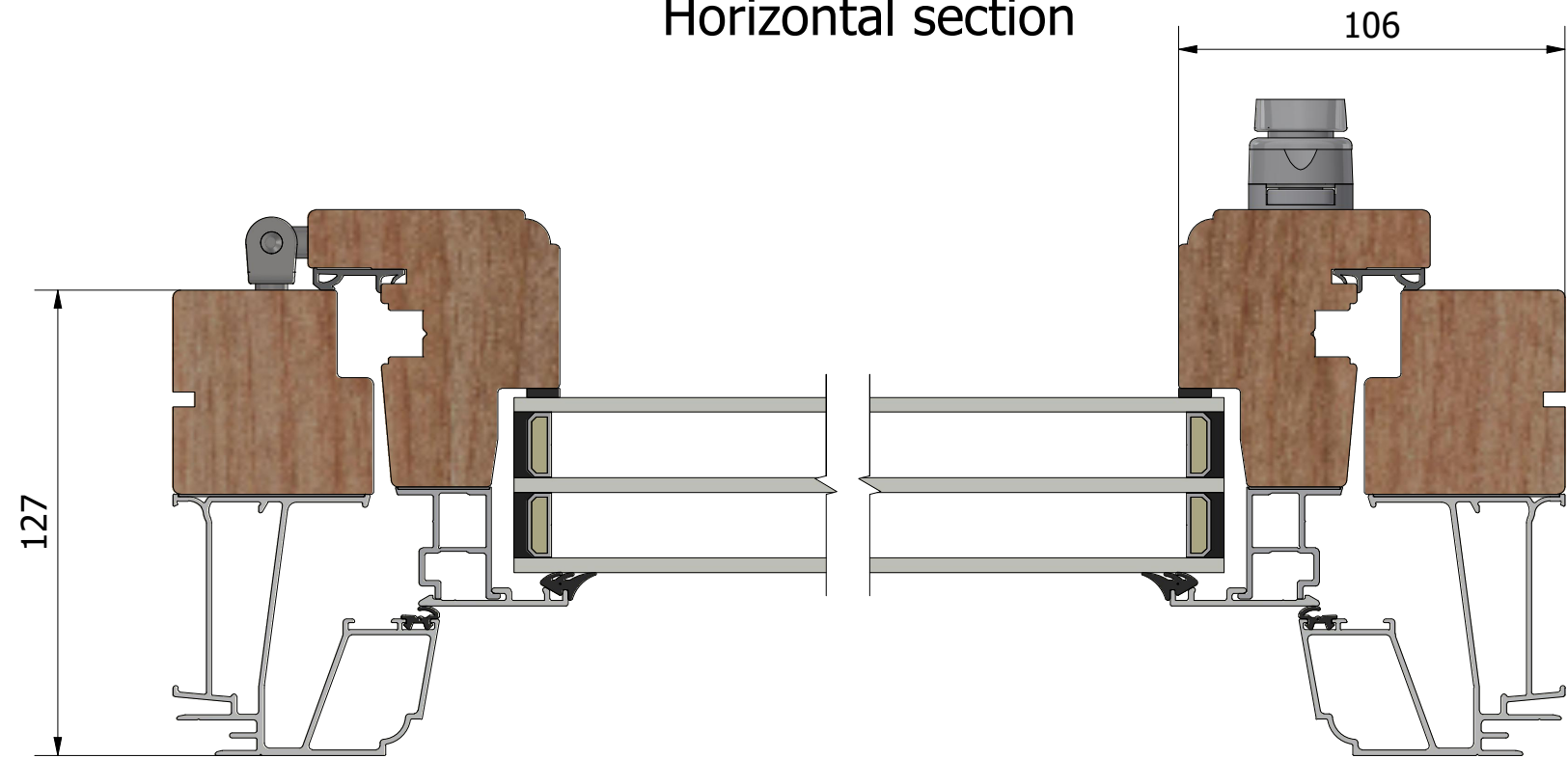


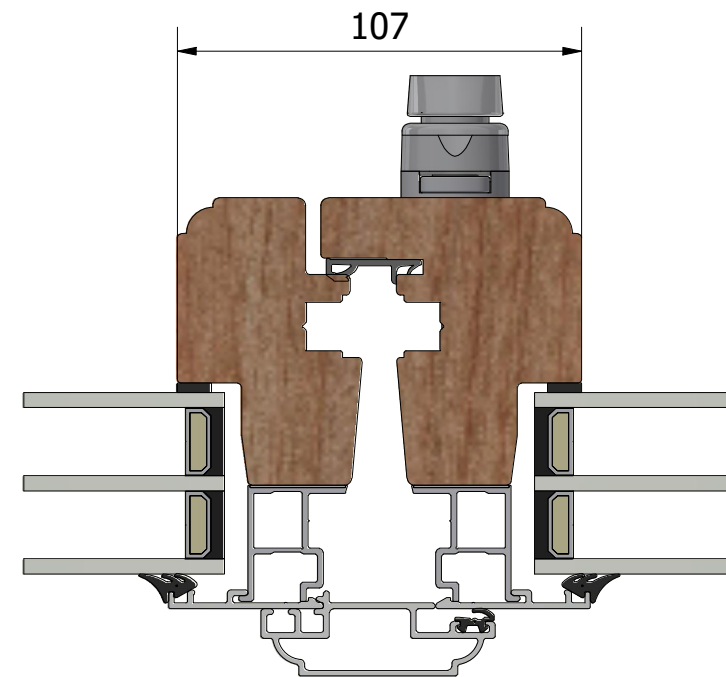
Vertical section



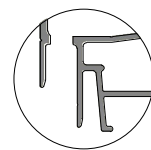
Horizontal section



Floating mullion



Weep hole



Revision no.	Revision description			Product name	Created by	Creation date
	General tolerances			LID1273.2	Alexander	2026-05-11
	ISO 2768-1, m	Scale	Page	Description		
	A3	1 : 2	1	Epok inward opening patio door. Tripple glazed.		
	View placement			File name	Drawing no.	
				MP-LID1273.2EN_260.dwg	MP-LID1273.2EN_260	