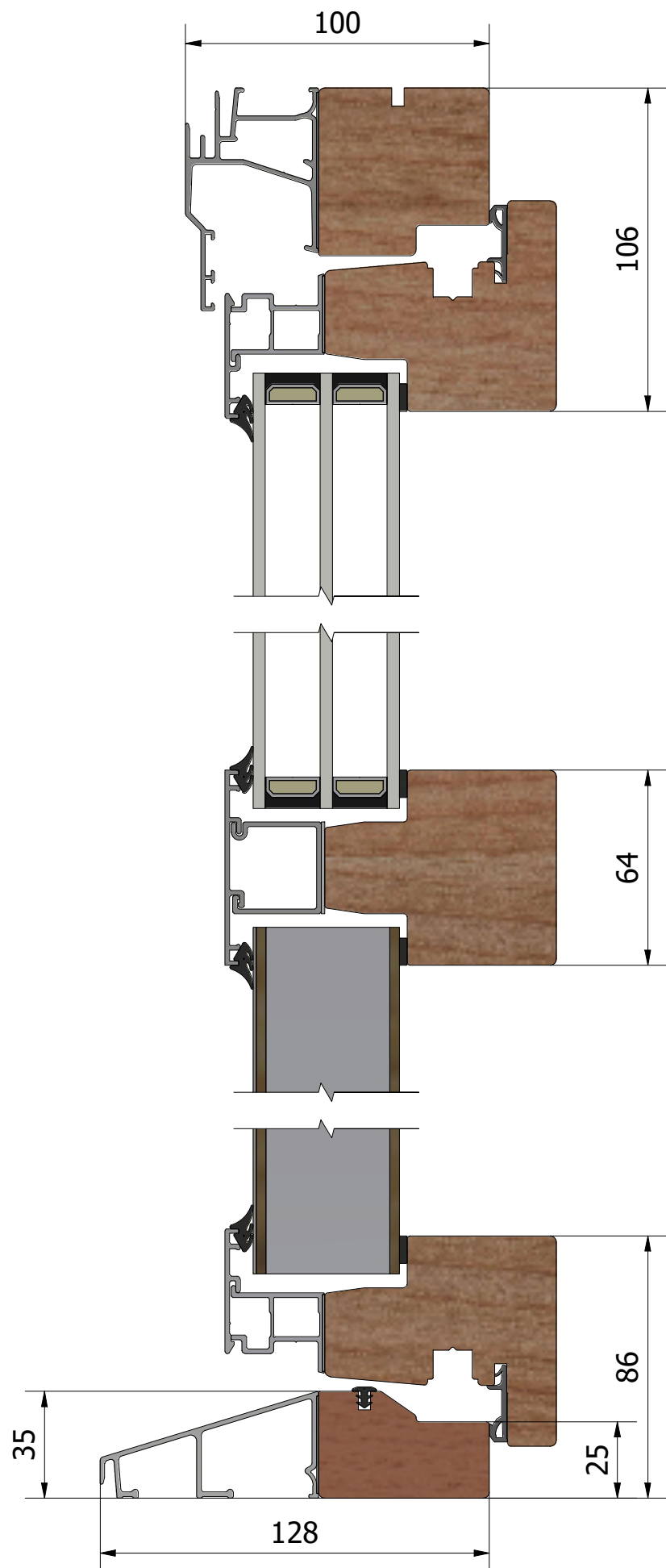
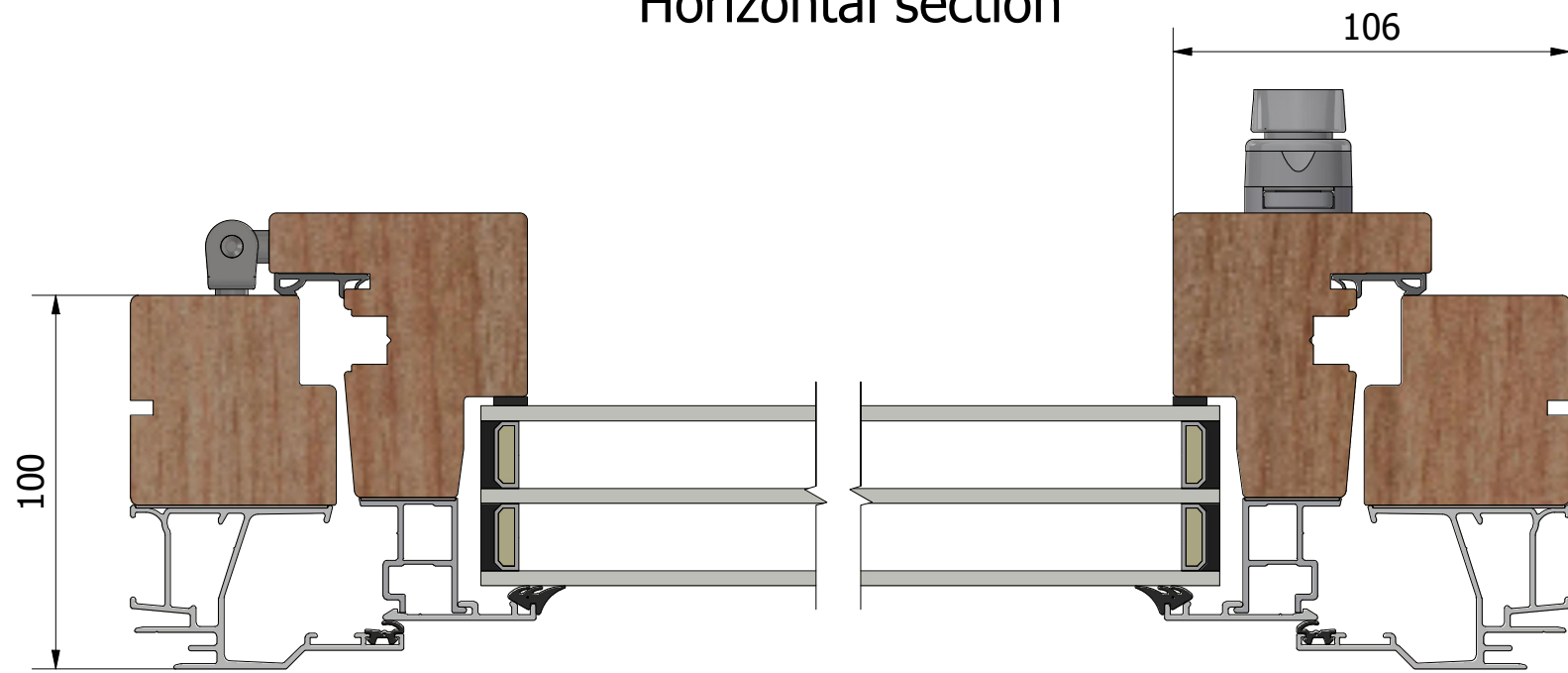


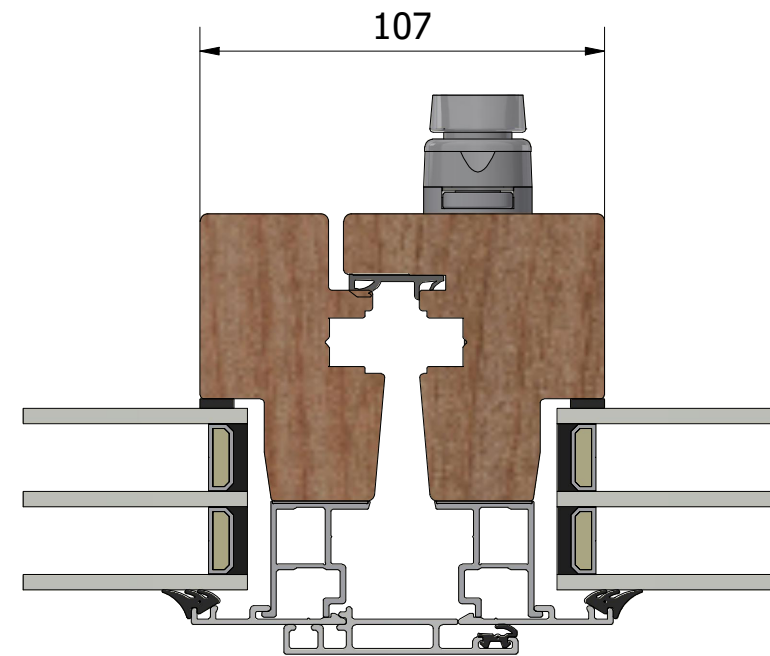
Vertical section



Horizontal section



Floating mullion



| Revision no. | Revision description | | | Product name | Created by | Creation date |
|--------------|----------------------|-------|------|---|-------------------|---------------|
| | General tolerances | | | LID1003H.3 | Alexander | 2026-04-27 |
| | ISO 2768-1, m | Scale | Page | Description | | |
| | A3 | 1 : 2 | 1 | Haga inward opening patio door, tripple glazed. Low threshold | | |
| | View placement | | | File name | Drawing no. | |
| | | | | MP-LID1003H.3EN_260.dwg | MP-LID1003H.3_260 | |