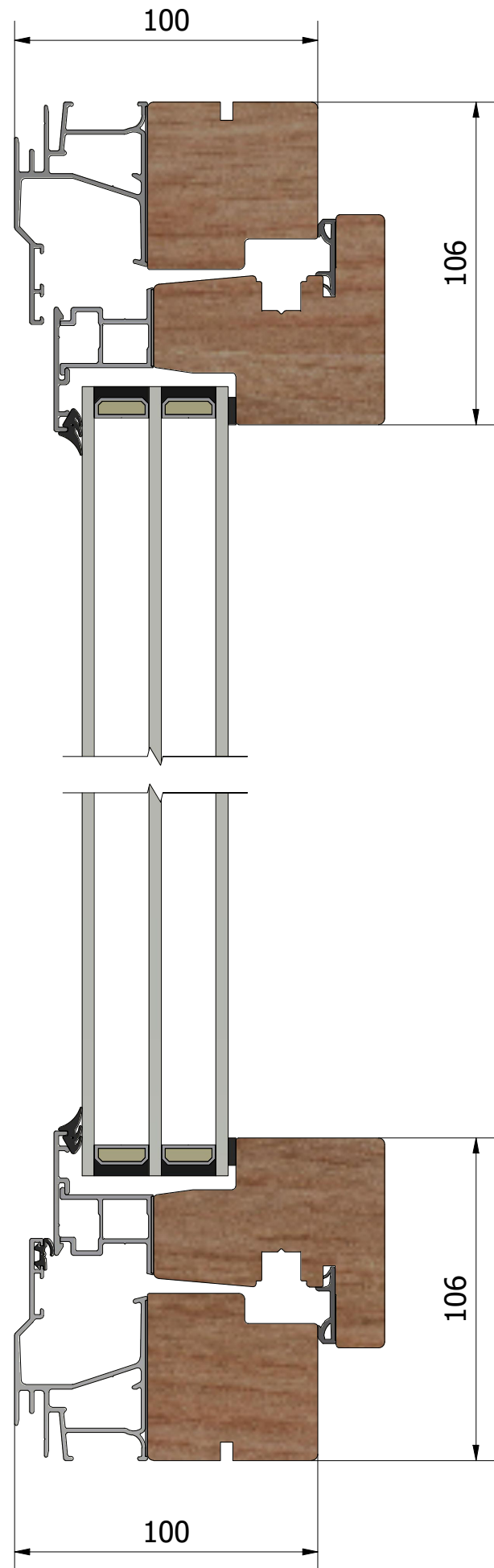
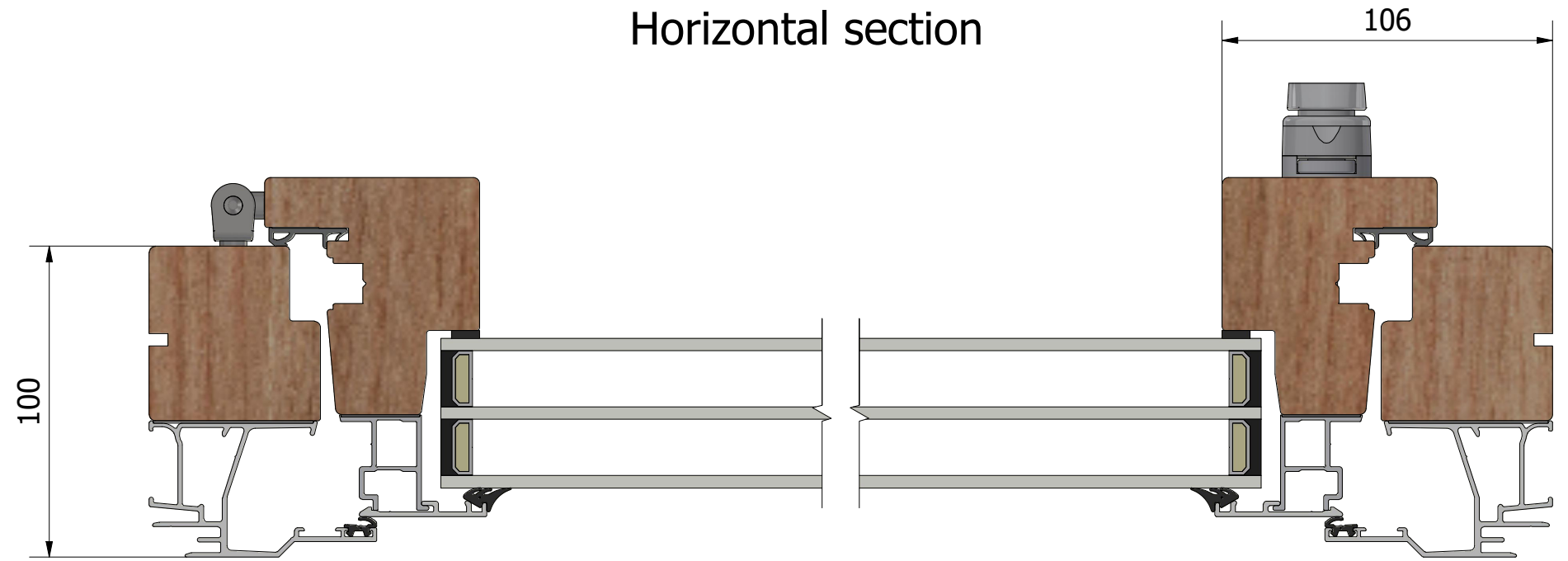


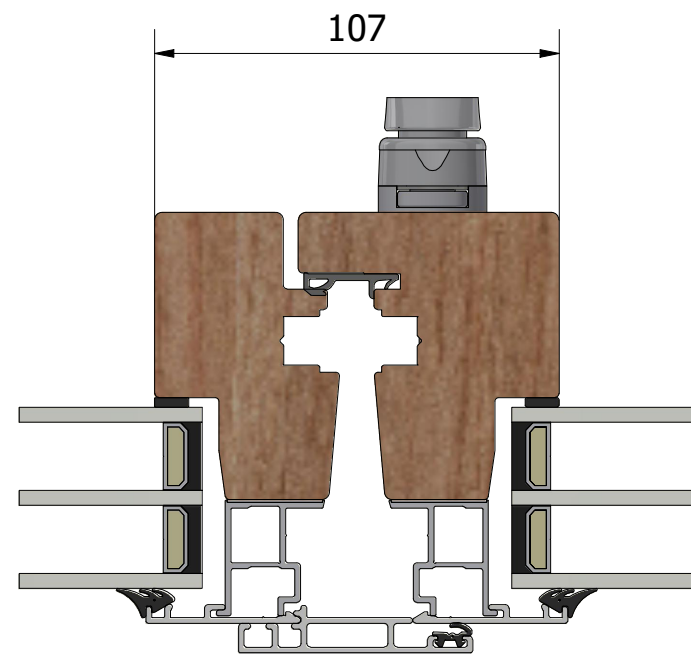
### Vertical section



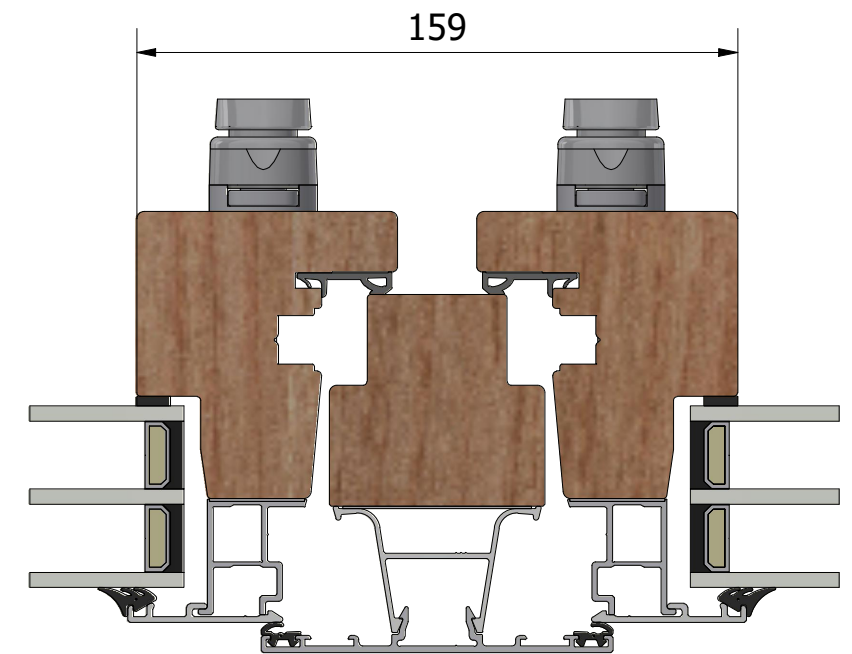
### Horizontal section



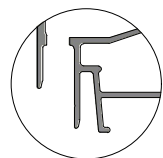
### Floating mullion



### Mullion



### Weep hole



Revision no.		Revision description		
General tolerances		Product name		Created by
ISO 2768-1, m		LIF1003.2		Alexander
Sheet size		Scale	Page	Creation date
A3		1 : 2	1	2026-05-22
Description		File name		
Haga inward opening window, tripple glazed		MP-LIF1003.2EN_260.dwg		
View placement		Drawing no.		
		MP-LIF1003.2EN_260		