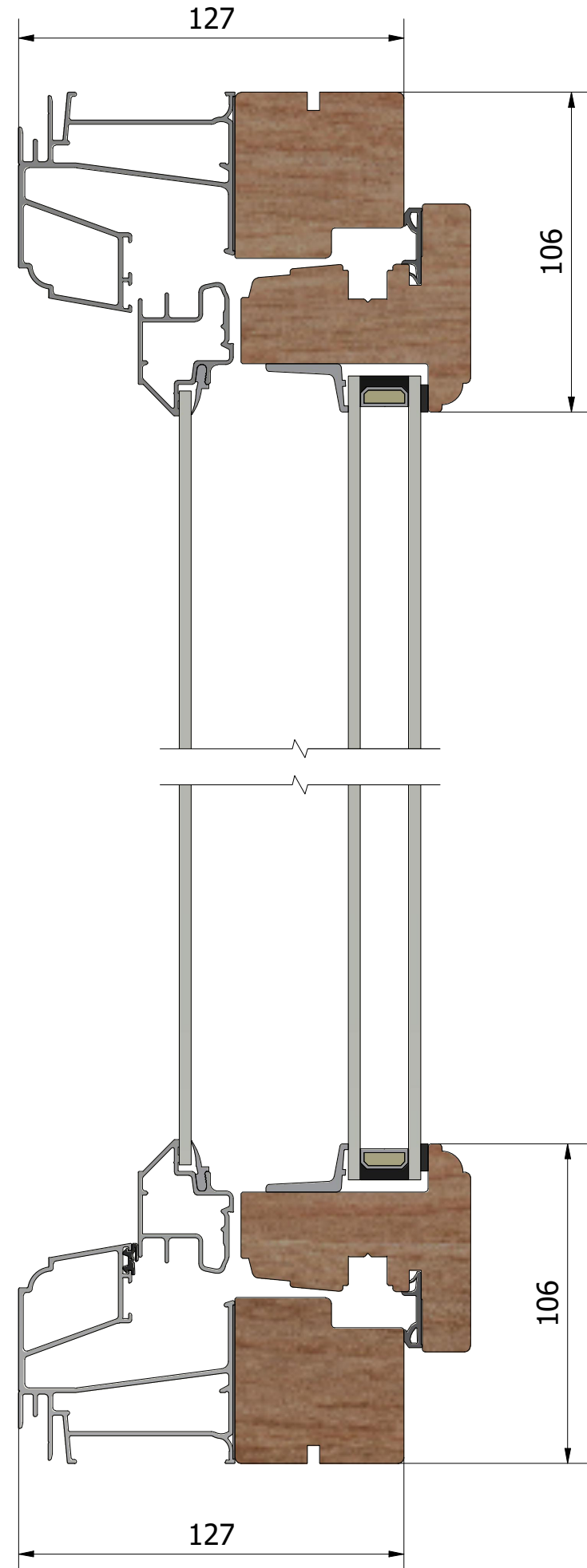
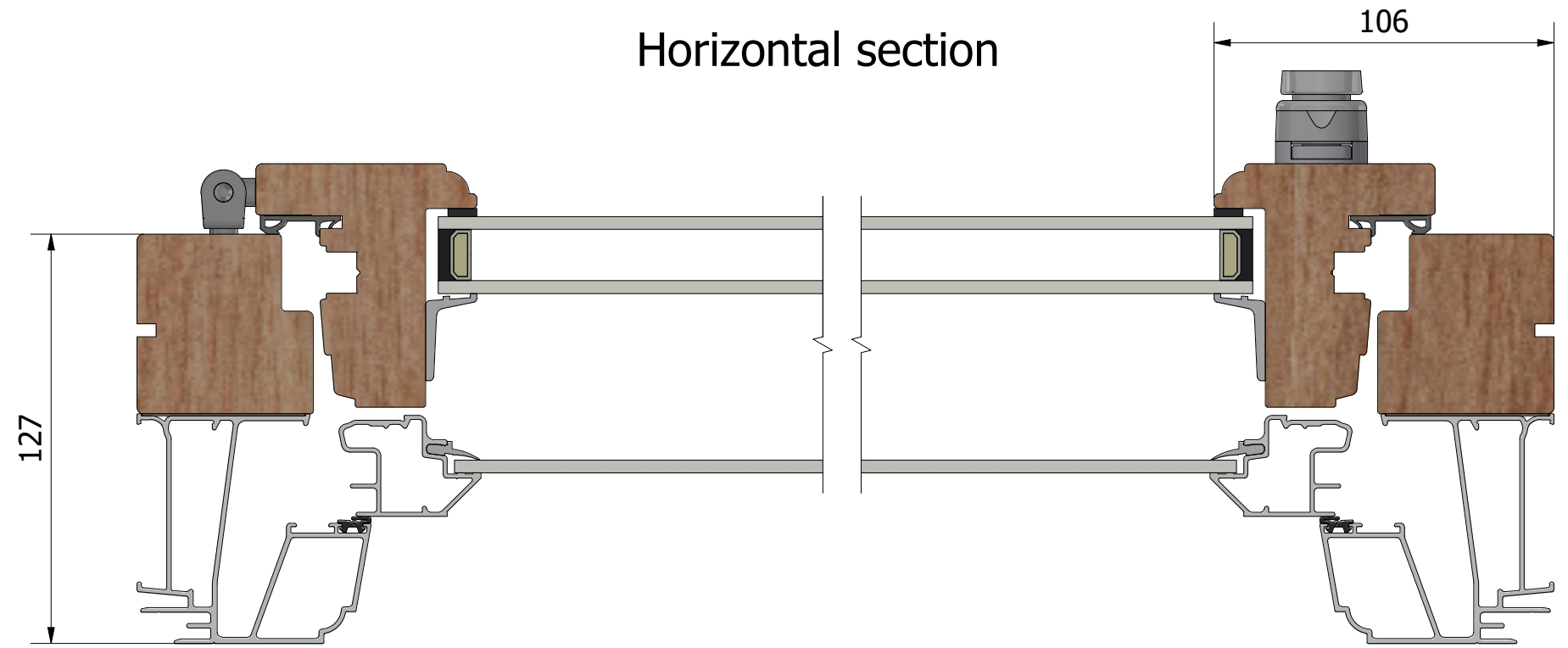


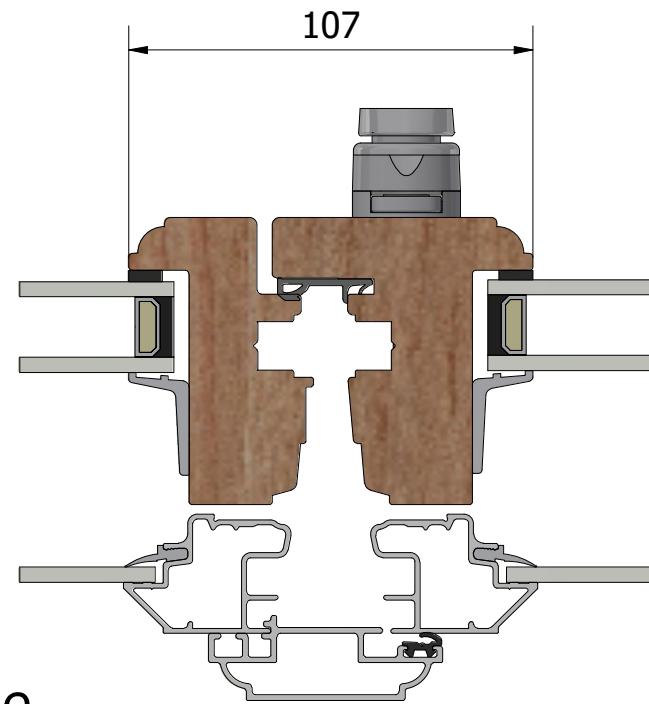
### Vertical section



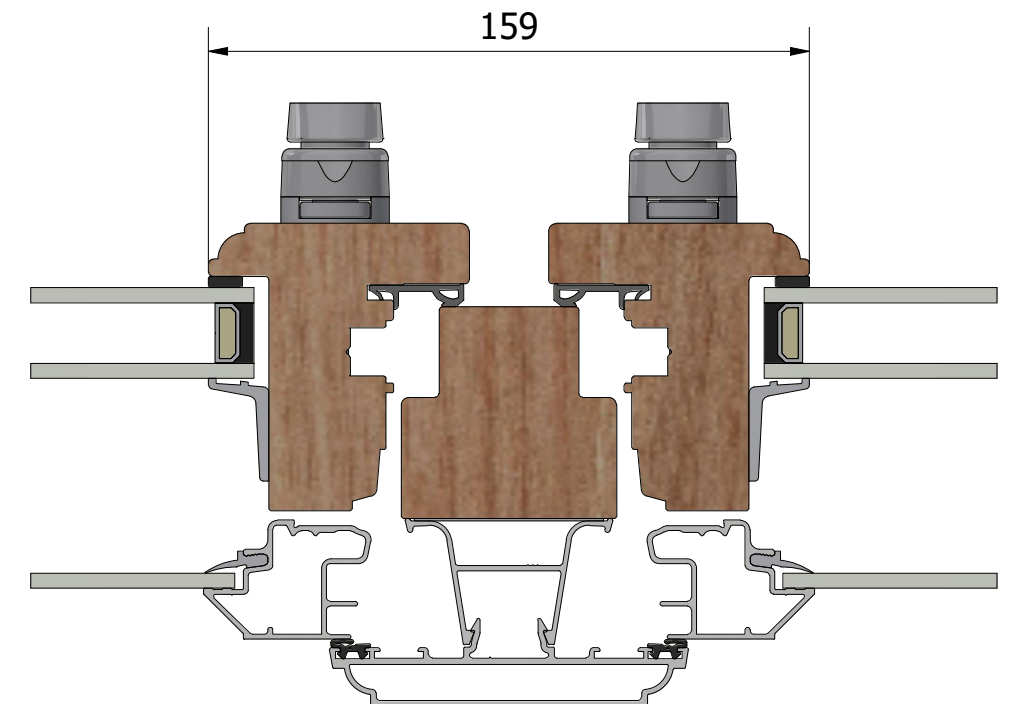
### Horizontal section



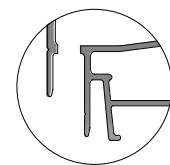
### Floating mullion




### Mullion



### Weep hole



Revision no.	Revision description				
General tolerances ISO 2768-1, m			Product name LIF1271.2	Created by Alexander	Creation date 2026-05-18
Sheet size A3	Scale 1 : 2	Page 1	Description Epok inward opening window, 2+1 high performance glazing		
			File name MP-LIF1271.2EN_260.dwg	Drawing no. MP-LIF1271.2EN_260	