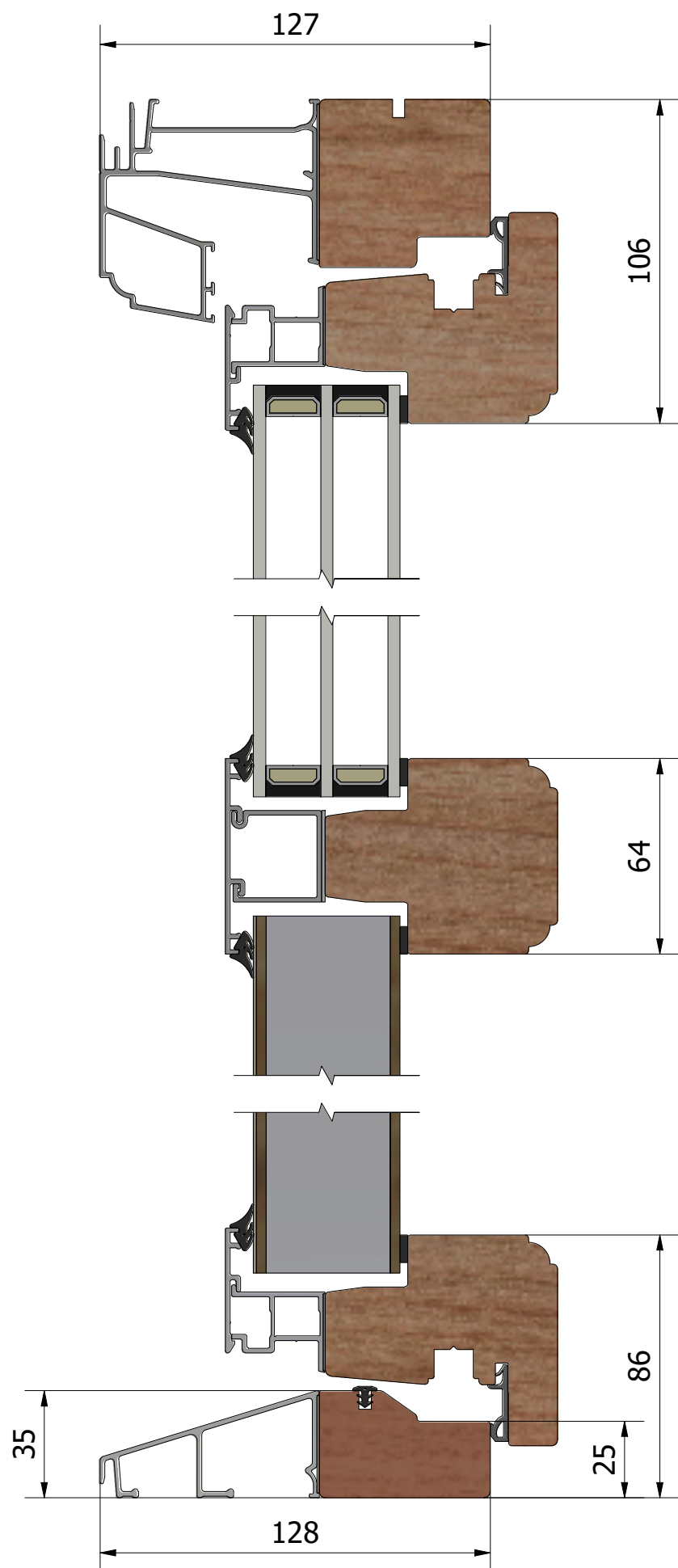
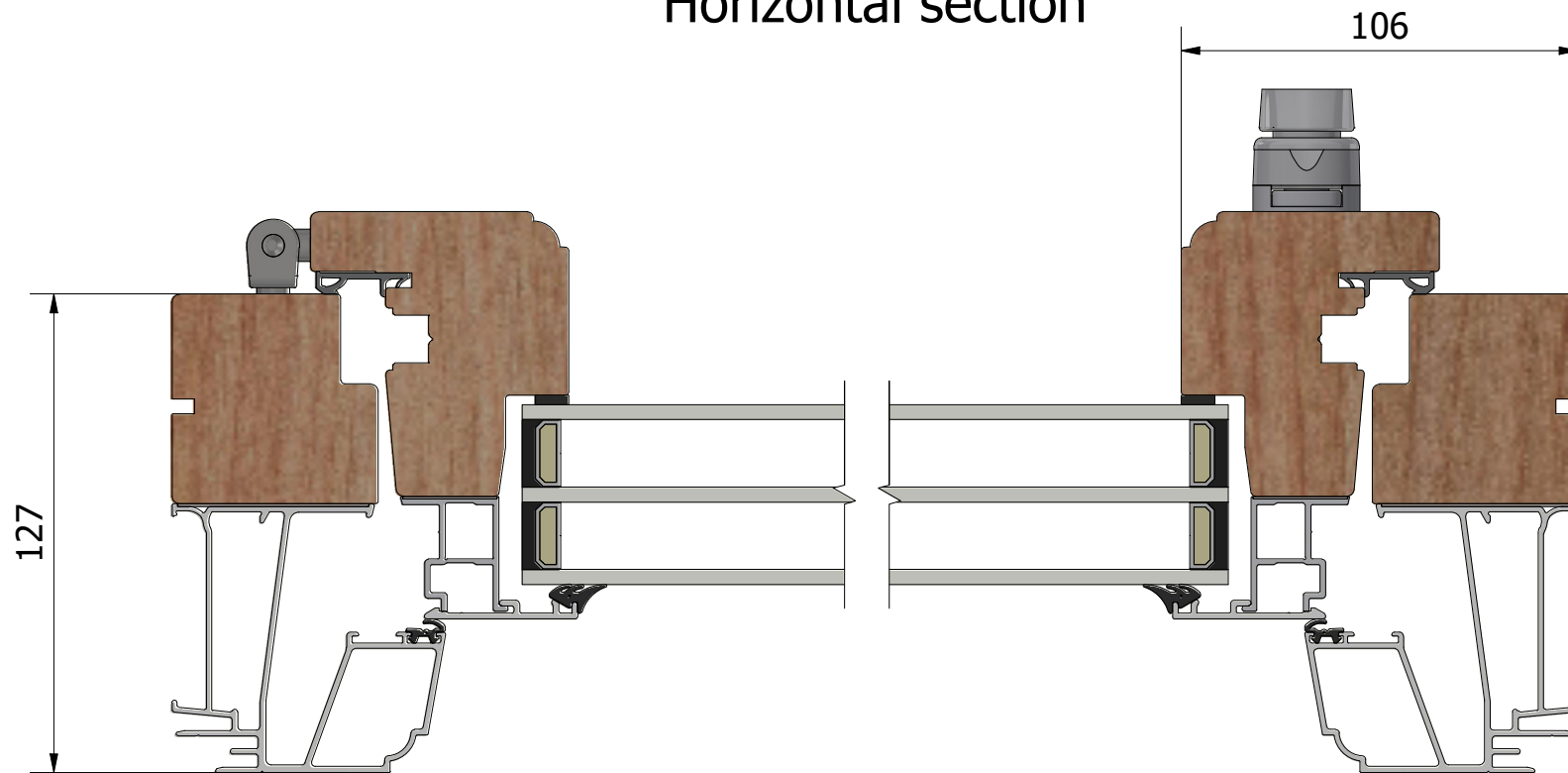


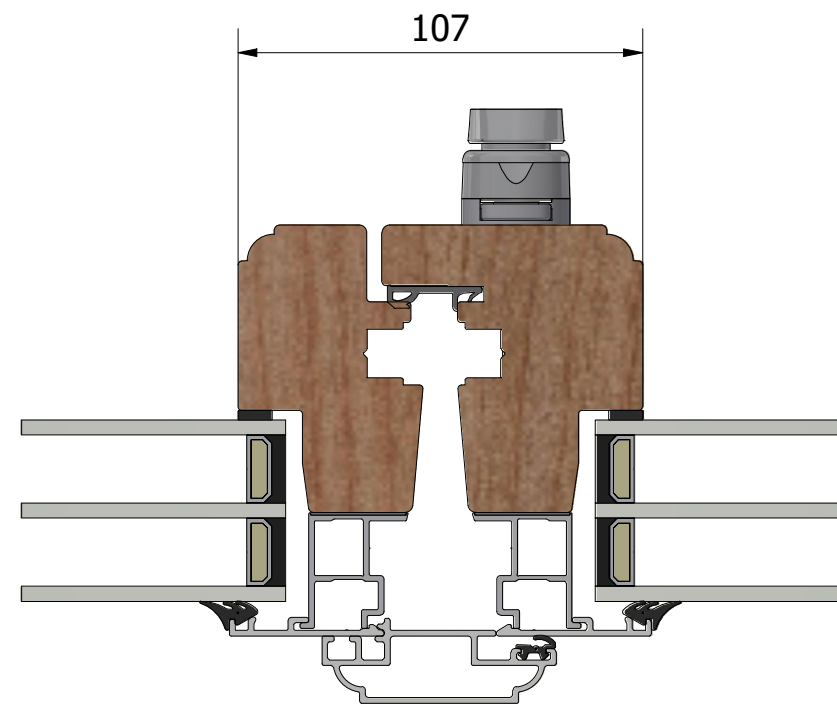
Vertical section



Horizontal section



Floating mullion



Revision no.		Revision description		
General tolerances		Product name		Created by
ISO 2768-1, m		LID1273H.3		Alexander
Sheet size		Scale	Page	Creation date
A3		1 : 2	1	2026-04-27
Description		File name		
Epok inward opening patio door tripple glazed. Low threshold		MP-LID1273H.3EN_260.dwg		
View placement		Drawing no.		
		MP-LID1273H.3_260		