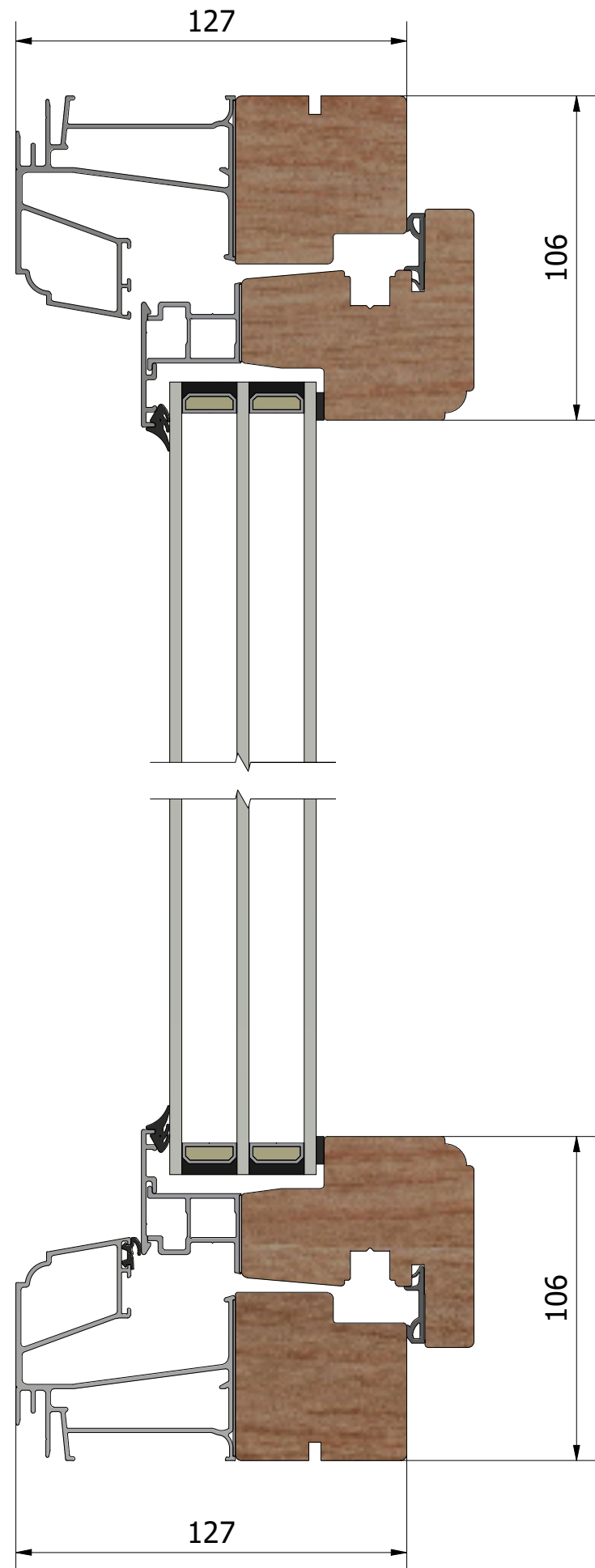
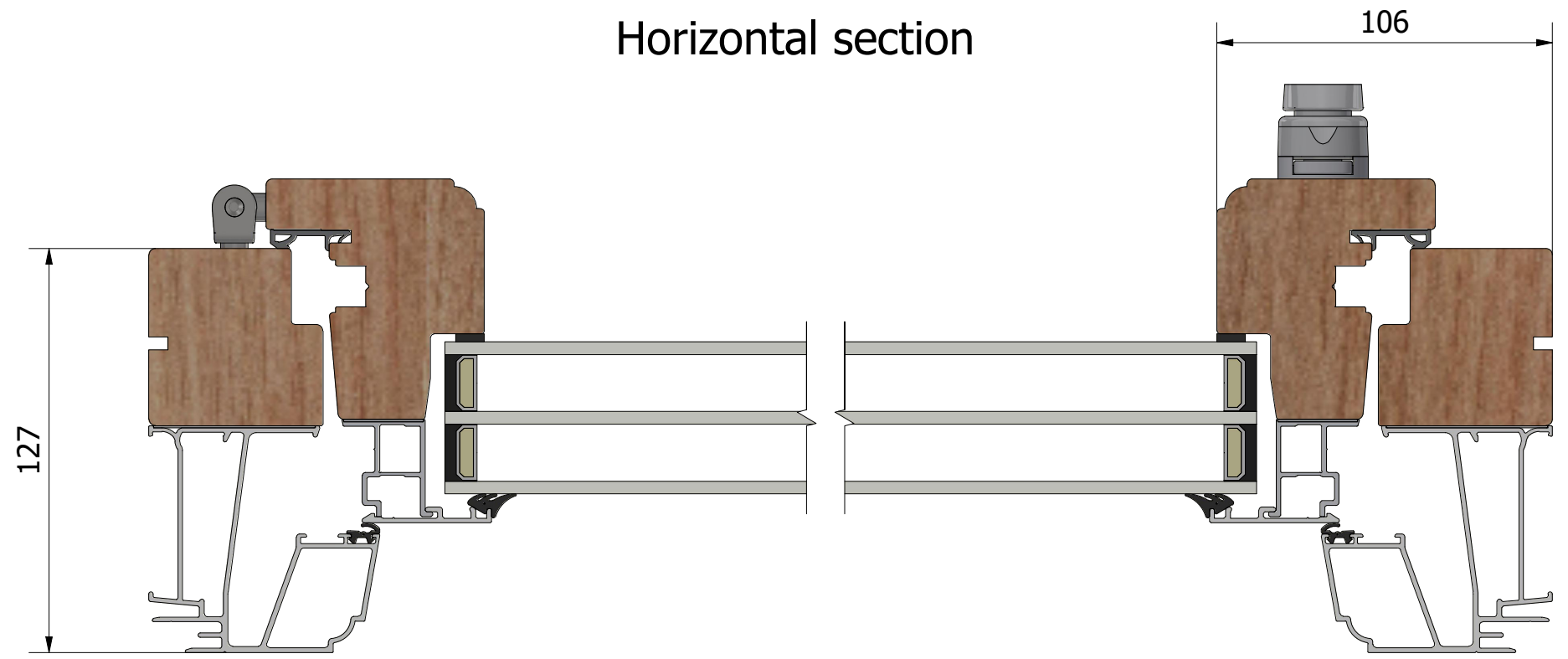


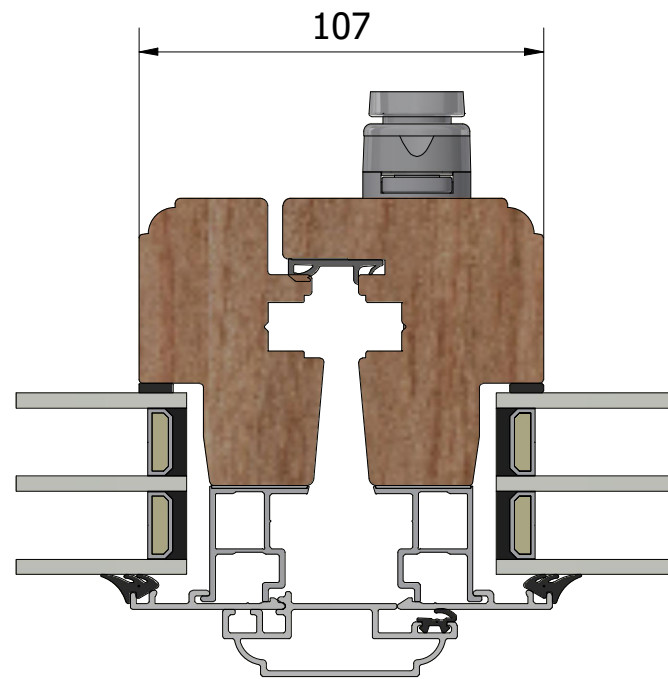
Vertical section



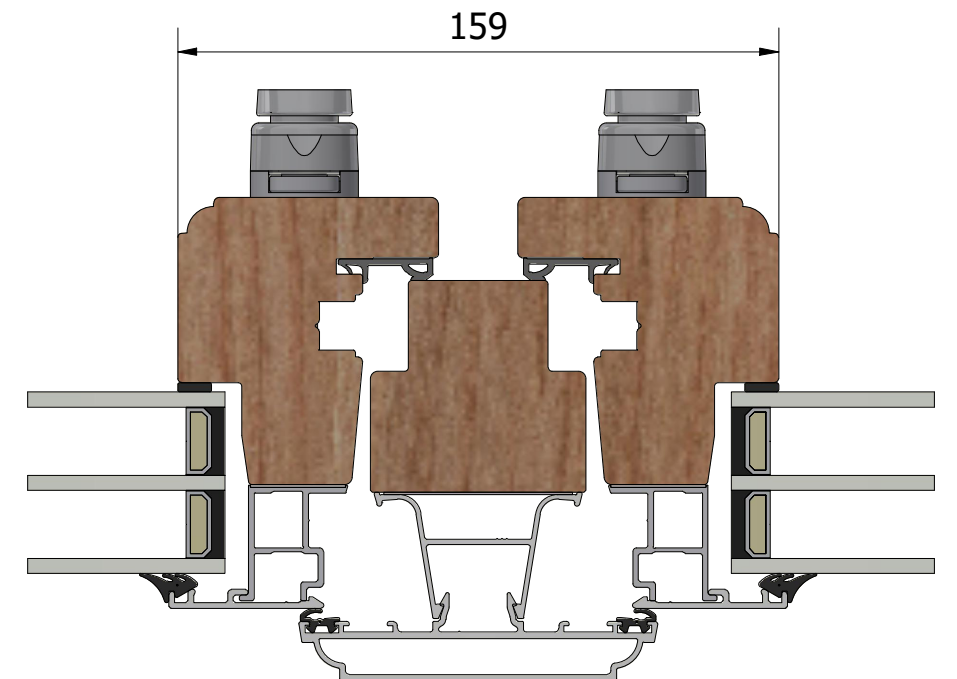
Horizontal section



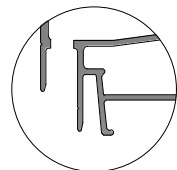
Floating mullion



Mullion



Weep hole



Revision no.	Revision description			Product name	Created by	Creation date
	General tolerances			LIF1273.2	Alexander	2026-05-22
	ISO 2768-1, m	Scale	Page	Description		
	A3	1 : 2	1	Epok inward opening window, tripple glazed		
	File name		Drawing no.			
	MP-LIF1273.2EN_260.dwg		MP-LIF1273.2EN_260			