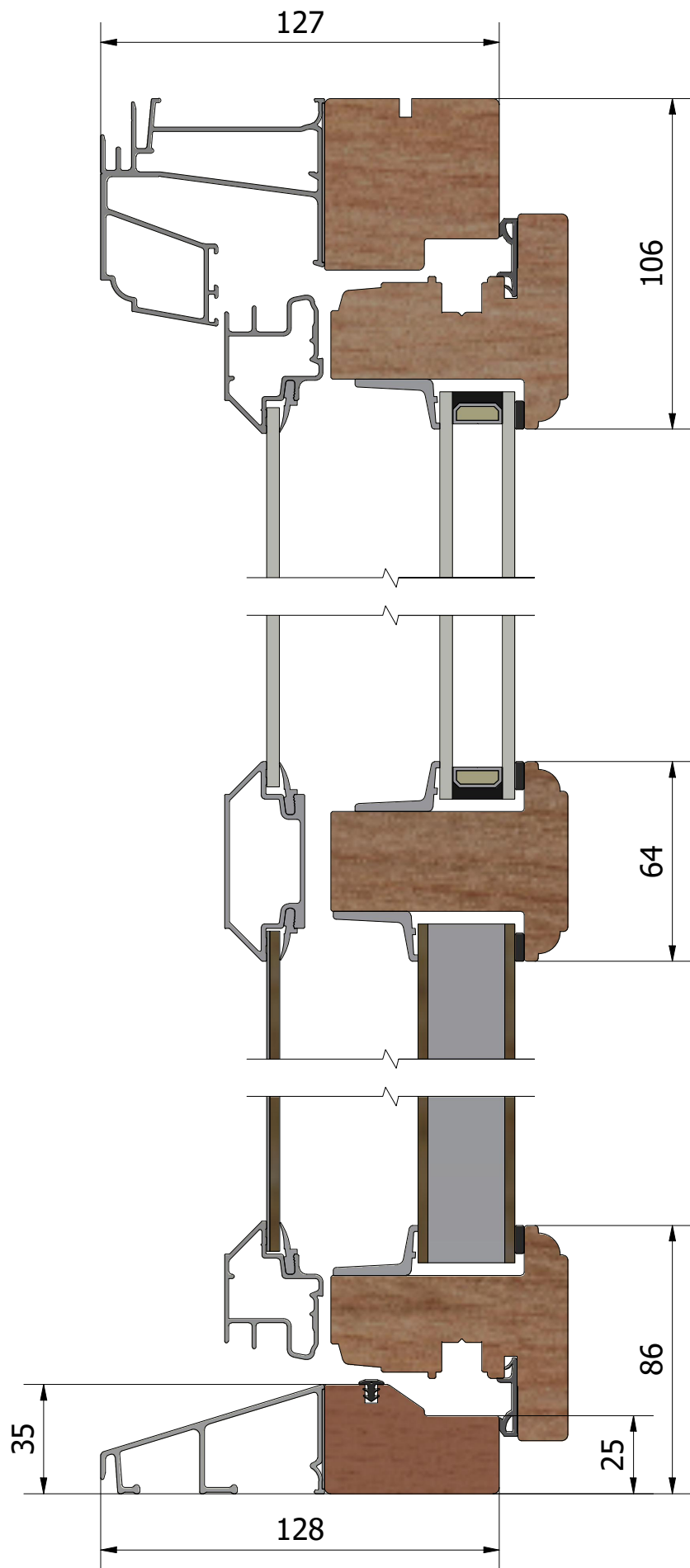
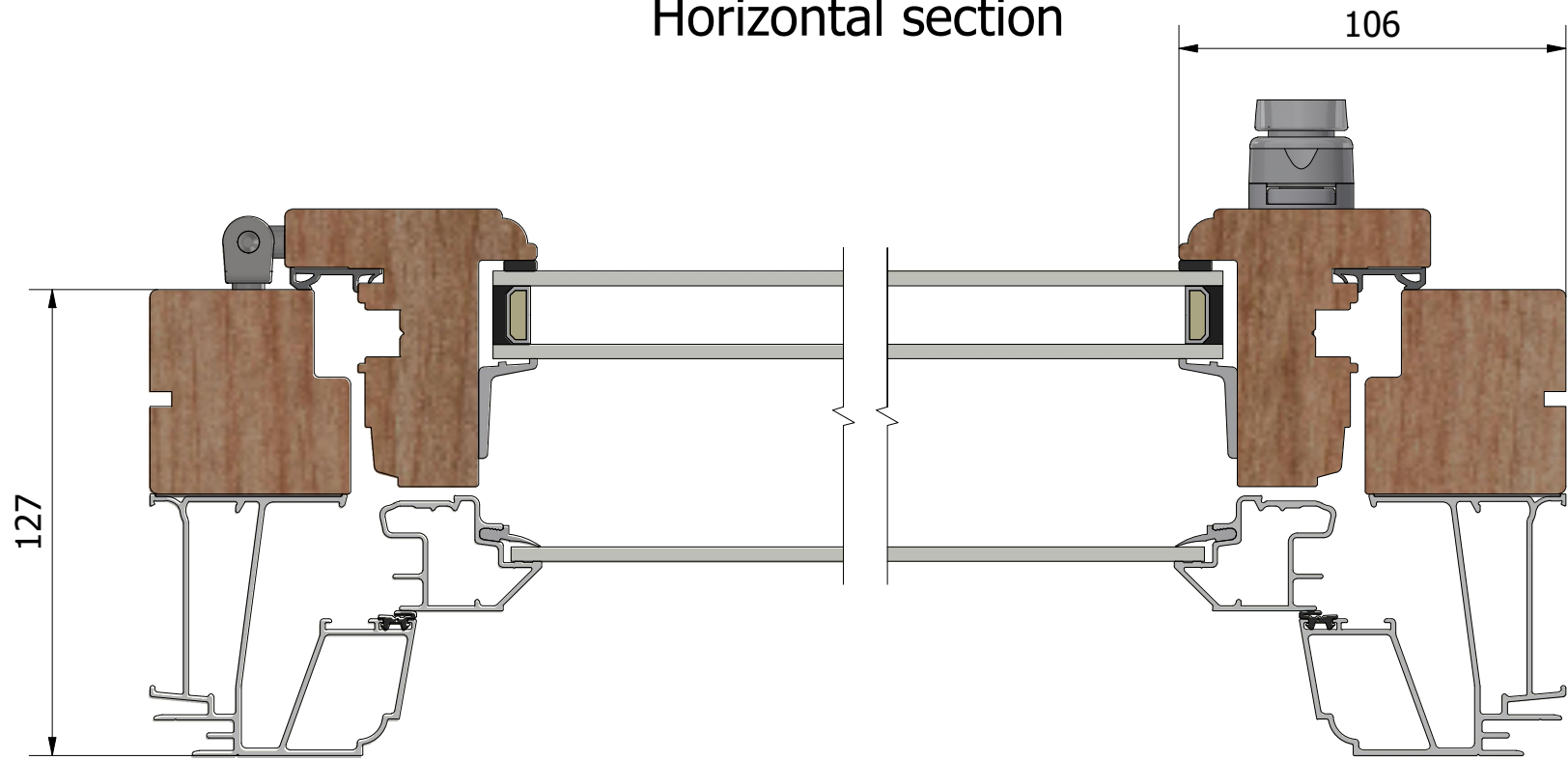


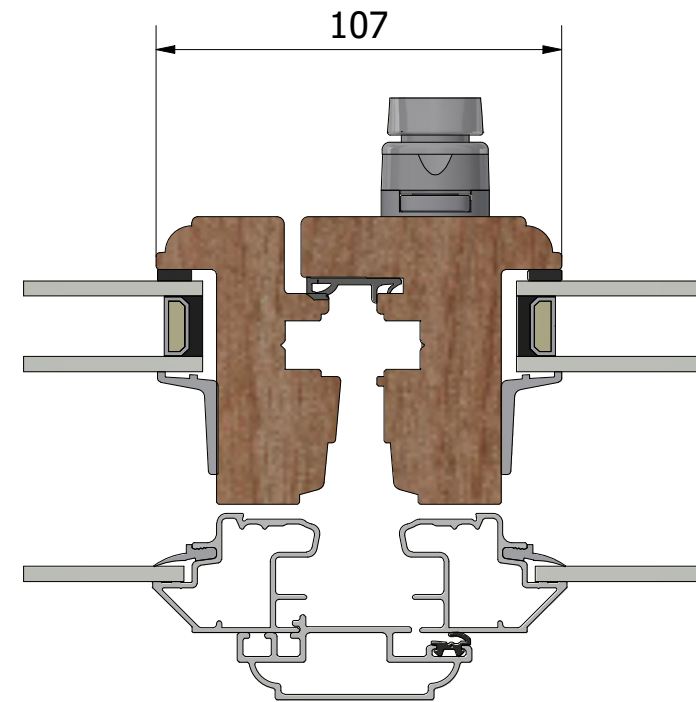
### Vertical section



### Horizontal section



### Floating mullion



Revision no.	Revision description			Product name	Created by	Creation date
	General tolerances	ISO 2768-1, m		LID1271H.3	Alexander	2026-04-27
	Sheet size	Scale	Page	Description		
	A3	1 : 2	1	Epok inward opening patio door 2+1 glazing. Low threshold		
	View placement		File name	Drawing no.		
			MP-LID1271H.3EN_260.dwg	MP-LID1271H.3_260		